

729888

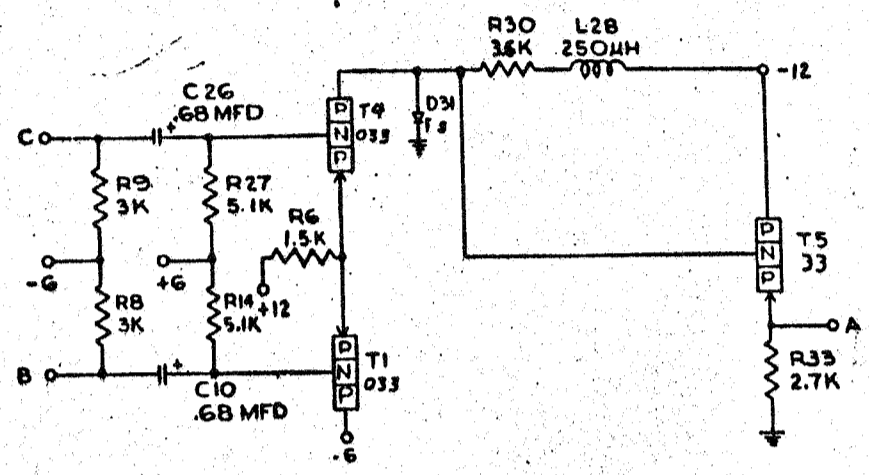
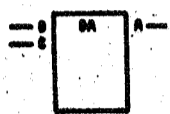
STANDARD CODE

CARD CODE 729888
NT --

REFERENCE DRAWING

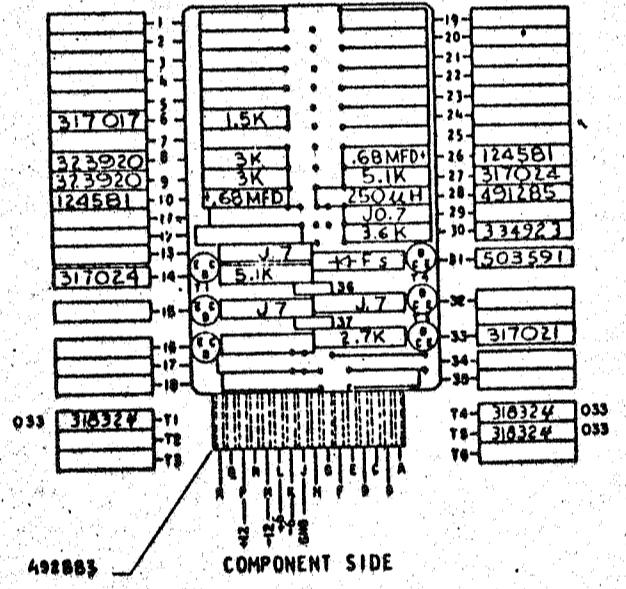
SEE PRODUCTION DRAWING 371671

ALLOY DIFFERENCE AMPLIFIER



- SEQUENCE OF OPERATION**
1. 50 TO 100 MV P-P INPUT SIGNAL REQUIRED
 2. OUTPUT WILL FOLLOW B INPUT

PINS	SIGNAL NAME	WAVE SHAPE	LEVELS	
			MIN	MAX
C	INPUT		UP	
			DOWN	
B	INPUT		UP	
			DOWN	
A	OUTPUT		UP	0.0
			DOWN	-5.0



CIRCUIT AND PACKAGING STANDARD	
APPROVAL	DATE
ABC	4-2-62

INTERNATIONAL BUSINESS MACHINES CORP.				DATE	CHANGE NO.	APPROVAL	DATE	CHANGE NO.	APPROVAL	DEVELOPMENT NO.
NAME: CARD ASSEMBLY TEST - ALLOY DIFFERENCE AMPLIFIER				4-2-62	EC115599					
DESIGN: RQ				3-1-62	3783687					
CHECK: MN				3-1-62						
APPRO: ENCA										

729888