

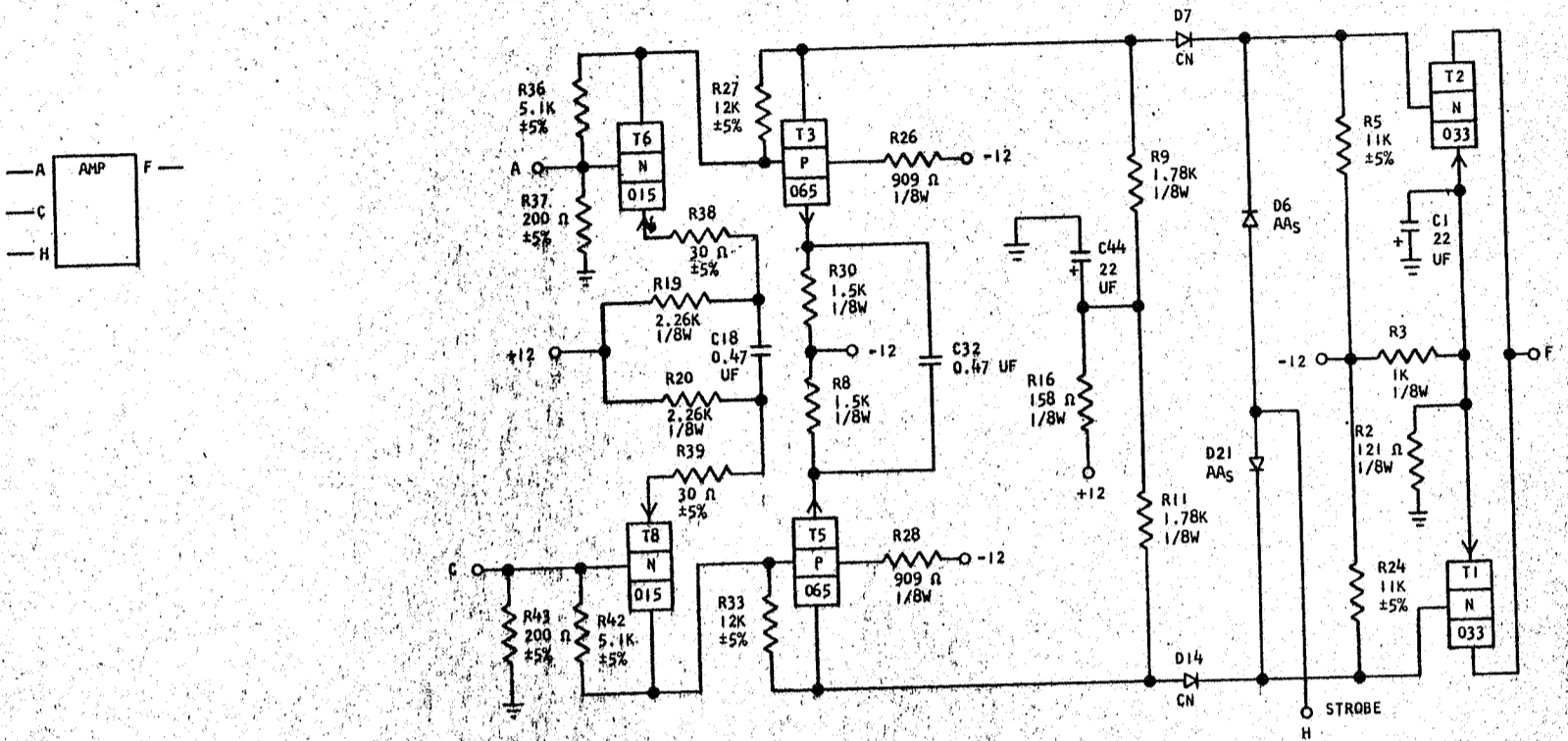
CARD CODE 729897

WX --

REFERENCE DRAWING

SEE PRODUCTION DRAWING 371899

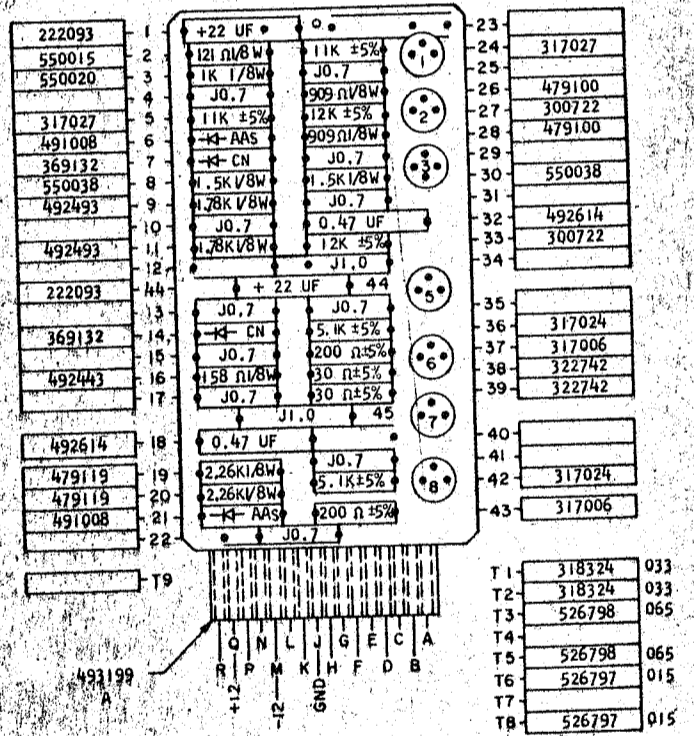
ALLOY-AMPLIFIER, PRE SENSE NUMBER 1



SEQUENCE OF OPERATION

1. THE T-LINE STROBE PULSE GATES THE CORE PULSE FROM THE DIFFERENTIAL AMPLIFIER INTO EITHER Q33, WHICH THEN GOES INTO THE FINAL SENSE AMPLIFIER (370836)
2. AMPLIFIER OUTPUT DELAY IS < 0.4 USEC. AMPLIFIER OUTPUT DELAY SHALL BE DEFINED AS THE TIME TAKEN FROM 10% POINT ON THE RISE OF THE INPUT SIGNAL TO THE 10% POINT OF THE LEADING EDGE VOLTAGE TRANSITION AT THE OUTPUT.

PINS	SIGNAL NAME	WAVE SHAPE	LEVELS		
			MIN	MAX	
A,C	INPUT		UP	40 M VOLTS	
			DOWN	0	
F	OUTPUT		UP	-5.2	+2.4
			DOWN	-11.52	-12.48
H	STROBE		UP	+1.44	+6.24
			DOWN	-1.74	-6.24



COMPONENT SIDE

CIRCUIT AND PACKAGING STANDARD	
APPROVAL	DATE
ABC	4-2-62

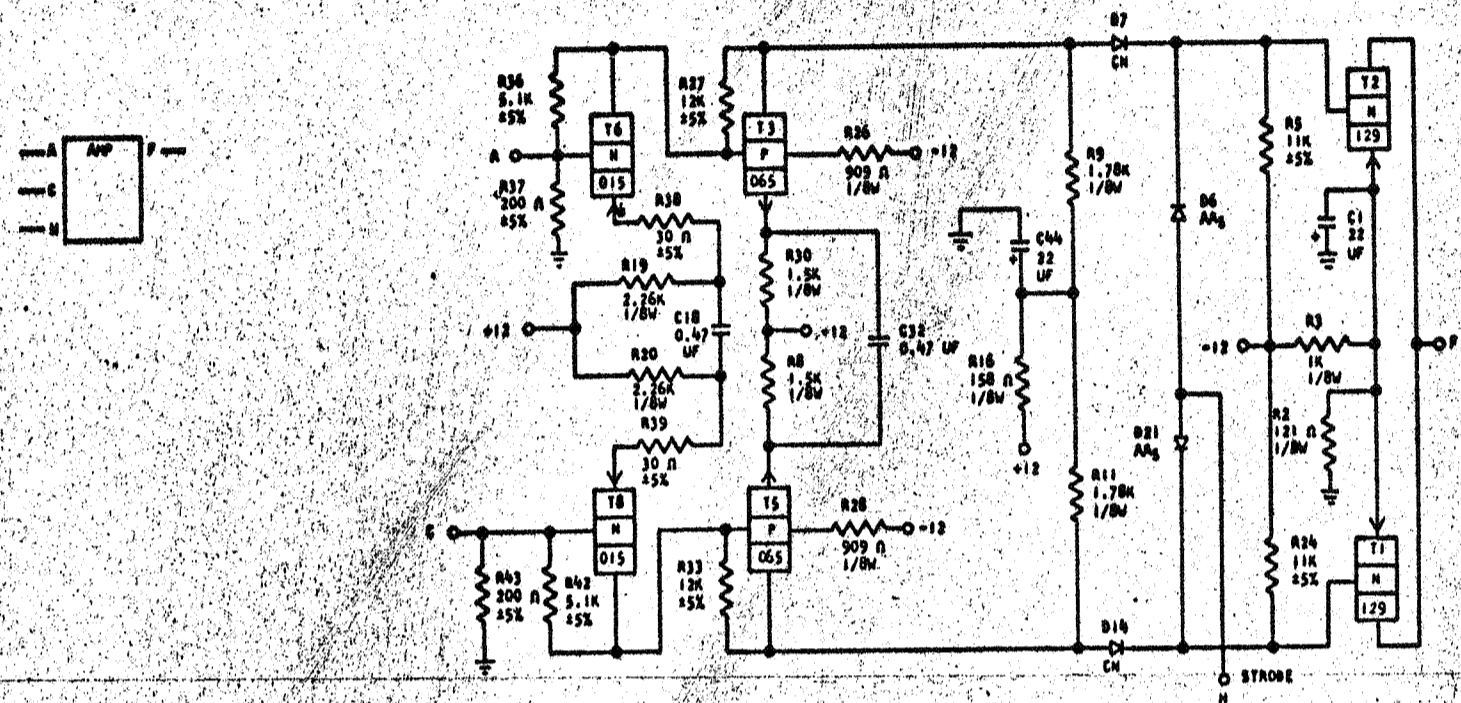
INTERNATIONAL BUSINESS MACHINES CORP.	DATE	CHANGE NO.	APPROVAL	DATE	CHANGE NO.	APPROVAL	DEVELOPMENT NO.
NAME CARD ASM TSTR - ALLOY	3-1-62	F16599					729897
AMPLIFIER PRE SENSE NUMBER 1							
DESIGN							
DETAIL RQ	3-1-62	SCALE NONE					
CHECK WH	3-1-62	DRAW LIG 3-17-62					
APPRO		CHECK					

729897
STANDARD
CARD

CARD CODE 729897
WX --

REFERENCE DRAWING
SEE PRODUCTION DRAWING 371899

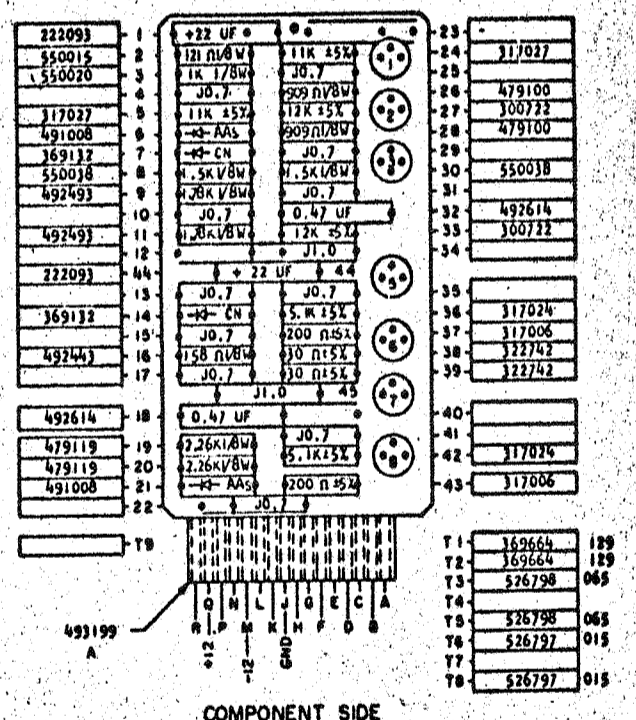
ALLOY-AMPLIFIER, PRE SENSE NUMBER 1



SEQUENCE OF OPERATION

1. THE T-LINE STROBE PULSE GATES THE CORE PULSE FROM THE DIFFERENTIAL AMPLIFIER INTO EITHER Q33, WHICH THEN GOES INTO THE FINAL SENSE AMPLIFIER (370036)
2. AMPLIFIER OUTPUT DELAY IS $\le 0.4 \mu\text{SEC}$. AMPLIFIER OUTPUT DELAY SHALL BE DEFINED AS THE TIME TAKEN FROM 10% POINT ON THE RISE OF THE INPUT SIGNAL TO THE 10% POINT OF THE LEADING EDGE VOLTAGE TRANSITION AT THE OUTPUT.

PINS	SIGNAL NAME	WAVE SHAPE	LEVELS	
			MIN	MAX
A, C	INPUT		UP	40 M VOLTS
			DOWN	0
F	OUTPUT		UP	+5.2 +.24
			DOWN	-11.52 -12.48
H	STROBE		UP	+1.44 +6.24
			DOWN	-.74 -6.24



CIRCUIT AND PACKAGING STANDARD	
APPROVAL	DATE
ABC	4-2-62

INTERNATIONAL BUSINESS MACHINES CORP.				DEVELOPMENT NO.			
NAME	DATE	CHANGE NO.	APPROVAL	DATE	CHANGE NO.	APPROVAL	DEVELOPMENT NO.
CARD ASM TSTR - ALLOY	6-17-62	115500					729897
AMPLIFIER PRE SENSE NUMBER 1	9-10-63	117842					
DESIGN	3-1-62	SCALE	NONE	4.11.63	TA 1841B		
CHECK	3-1-62	DRAW	LIG 3-17-62				

729897
ASUB