

729813

STANDARD CODE

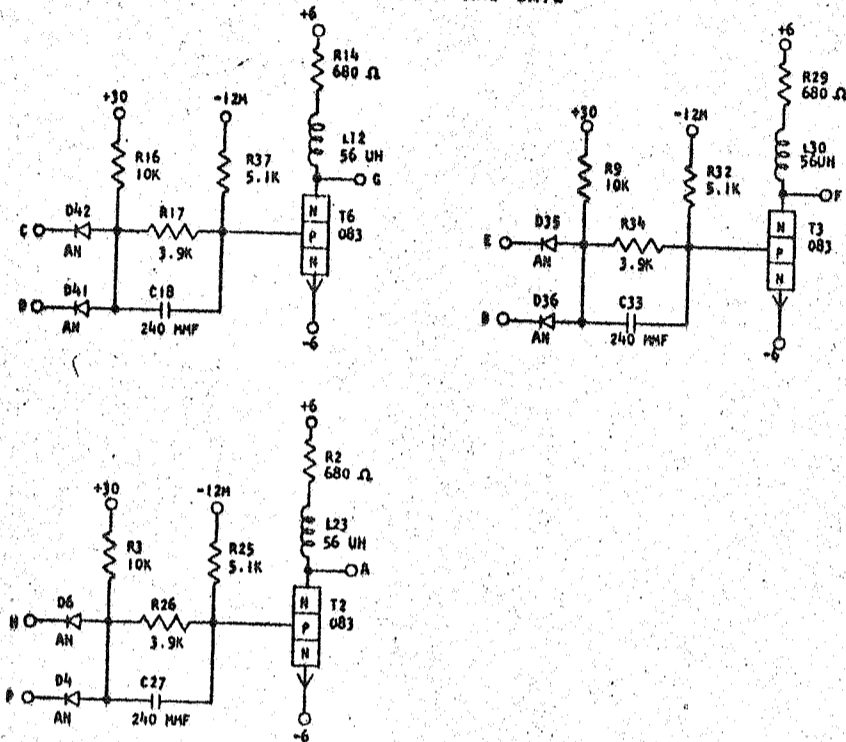
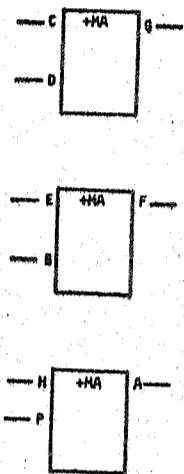
CARD CODE 729813

CAC -

REFERENCE DRAWING

SEE PRODUCTION DRAWING 371922

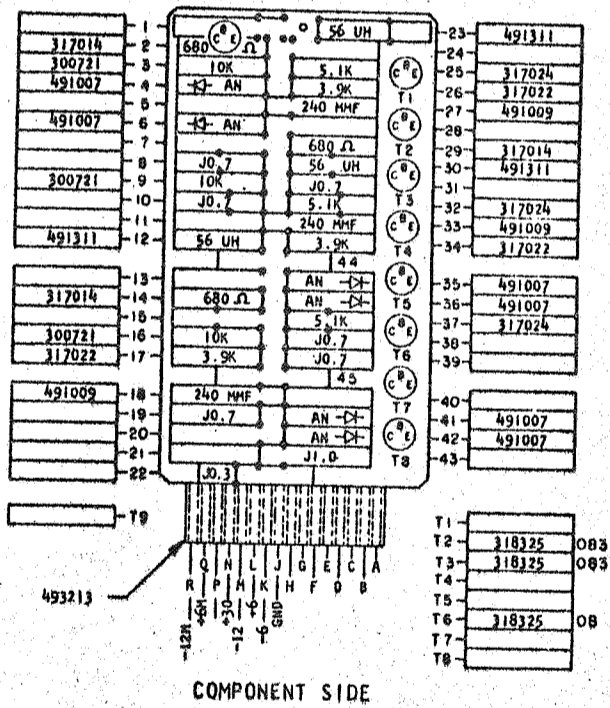
CTDL + AND GATE



SEQUENCE OF OPERATION

1. ALL INPUTS UP TRANSISTOR ON OUTPUT DOWN
2. EITHER OR BOTH INPUTS DOWN TRANSISTOR OFF OUTPUT UP
3. DELAY WHEN DRIVING CTDL LOADS
TURN ON .1 USEC MAX
TURN OFF .25 USEC MAX
4. DELAY WHEN DRIVING CLOCK LOAD
TURN ON .26 USEC MAX
TURN OFF .12 USEC MAX

PINS	SIGNAL NAME	WAVE SHAPE	LEVELS	
			MIN	MAX
C, D, H, P, E, B	T INPUTS		UP	+3.68 +6.24
			DOWN	-4.46 -6.24
G, A, F	T OUTPUTS		UP	+1.44 +6.24
			DOWN	-4.62 -6.24



COMPONENT SIDE

CIRCUIT AND PACKAGING STANDARD	
APPROVAL	DATE
ABC	4-2-62
DEVELOPMENT NO.	729813

INTERNATIONAL BUSINESS MACHINES CORP.				DATE	CHANGE NO.	APPROVAL	DATE	CHANGE NO.	APPROVAL	DEVELOPMENT NO.
NAME CARD ASM TSTR - CTDL + AND GATE				1-7-62	115599					
DESIGN	RG	3-1-62	MODEL	SNS						
DETAIL	RG	3-1-62	SCALE	NONE						
CHECK	MH	3-1-62	DRAW	LIG	3-17-62					
APPROV			CHECK							

729813