

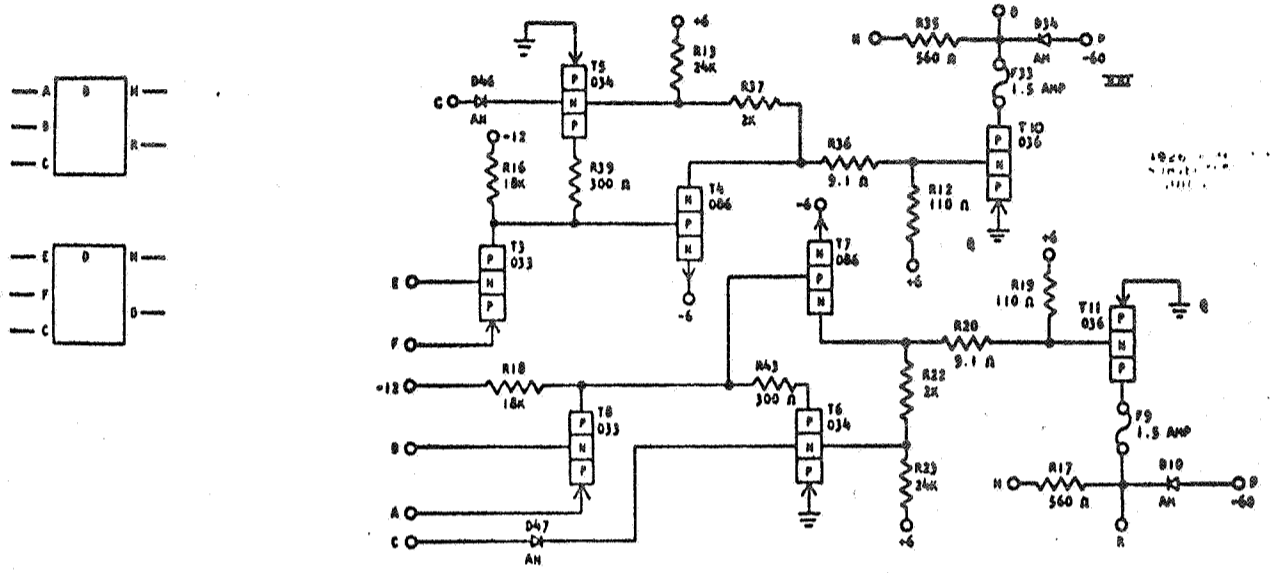
729803

STANDARD CODE

SARD CODE 729803
A E C -

REFERENCE DRAWING
SEE PRODUCTION DRAWING 371940

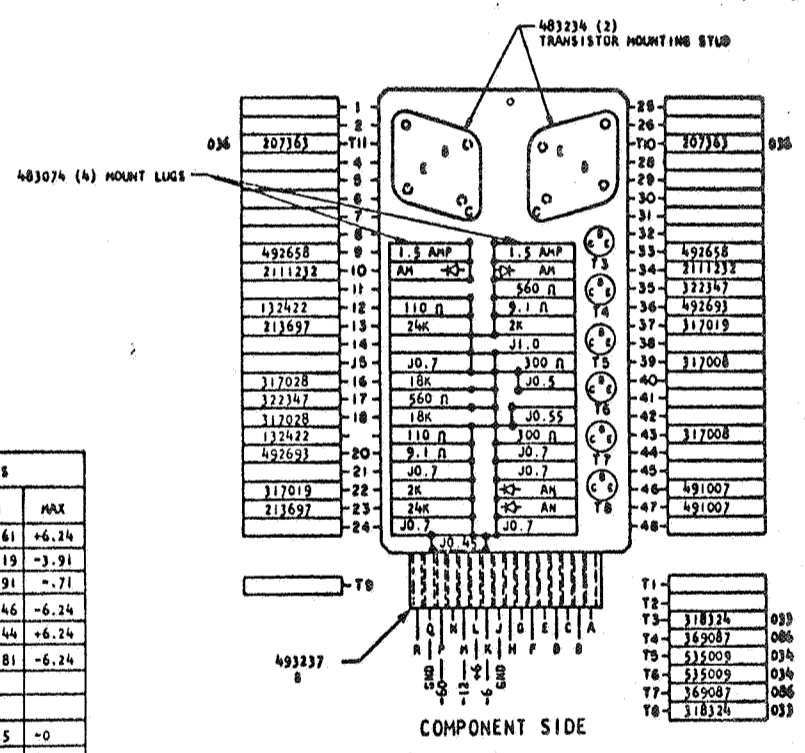
ALLOY HAMMER DRIVER LATCH



SEQUENCE OF OPERATION

1. WHEN INPUTS AT E (GATE) AND F (SET) ARE IN COINCIDENCE T3 TURNS ON
2. WITH T3 ON, T4 TURNS ON, T5 TURNS ON AND LATCHES T6
3. T10 TURNS ON THE OUTPUT IS GND
4. WHEN C (RESET) IS UP T5, T6, T10 TURN OFF AND THE OUTPUT IS -60V
5. FAILURE TO RESET PROPERLY WILL RESULT IN BLOWN FUSE

PINS	SIGNAL NAME	WAVE SHAPE	LEVELS	
			MIN	MAX
E, B	N GATE		UP +5.61	+6.24
			DOWN -1.19	-3.91
A, F	T SET		UP -3.91	-7.71
			DOWN -5.46	-6.24
C	T RESET		UP +1.44	+6.24
			DOWN -.81	-6.24
M, N		HAMMER CHECK DRIVE	UP	
			DOWN	
D, R	V OUTPUT		UP -2.5	0
			DOWN -54	-60



CIRCUIT AND PACKAGING STANDARD	
APPROVAL	DATE
ABC	4-2-62

INTERNATIONAL BUSINESS MACHINES CORP.				DATE	CHANGE NO.	APPROVAL	DATE	CHANGE NO.	APPROVAL	DEVELOPMENT NO.
NAME CARD ASM TSTR -				6-27-62	115599					
ALLOY HAMMER DRIVER LATCH				9-18-62	EC 112467	MBL				
DESIGN	RQ	3-1-62	SCALE	NONE	30-4-63	JT 83687				
CHECK	WH	3-1-62	DRAW	LIG	3-7-62					
APPROV			CHECK							

EC 112467

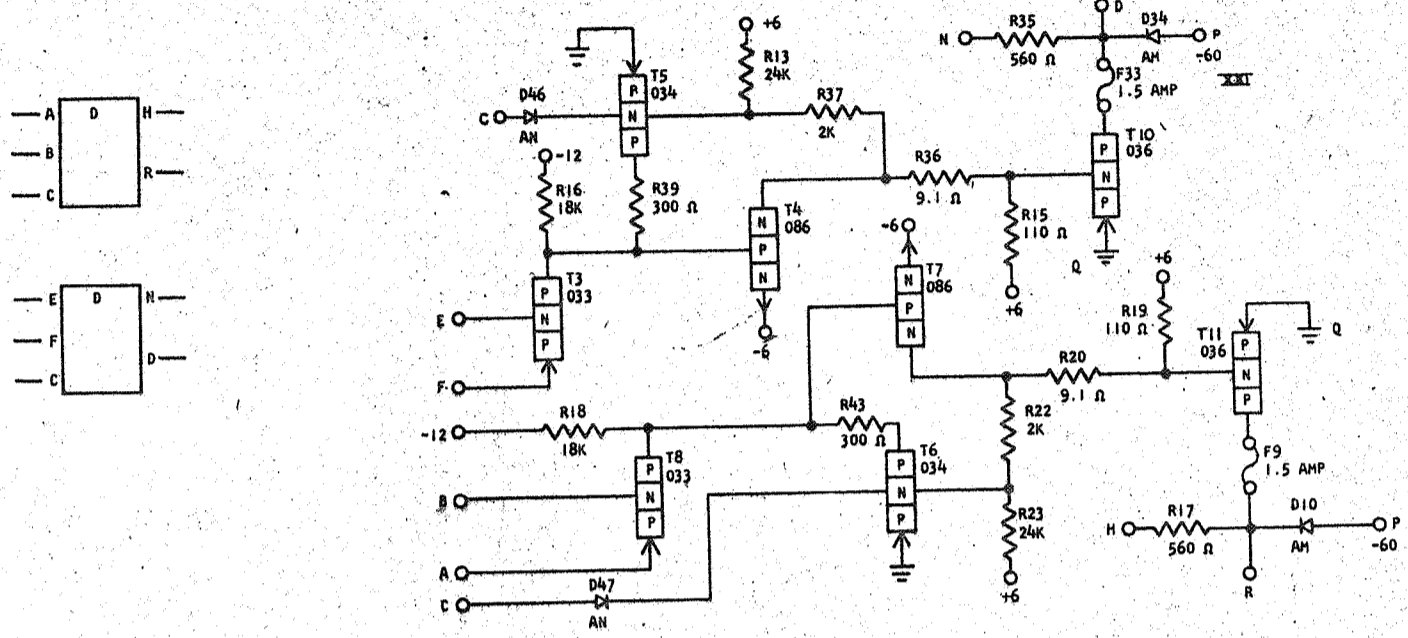
C

STANDARDS CODE

CARD CODE 729803
A E C -

REFERENCE DRAWING
SEE PRODUCTION DRAWING 371940

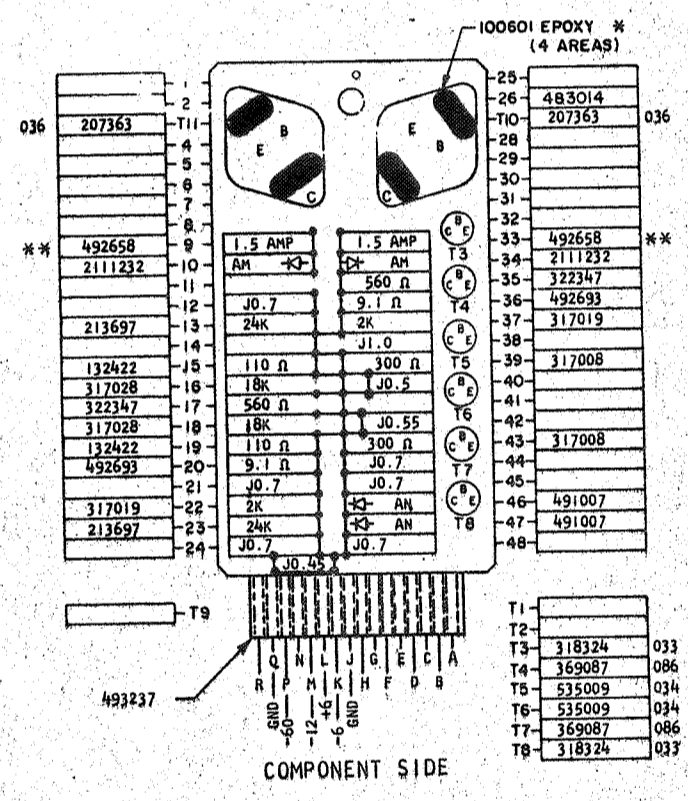
ALLOY HAMMER DRIVER LATCH



SEQUENCE OF OPERATION

1. WHEN INPUTS AT E (GATE) AND F (SET) ARE IN COINCIDENCE T3 TURNS ON
2. WITH T3 ON, T4 TURNS ON, T5 TURNS ON AND LATCHES T4
3. T10 TURNS ON THE OUTPUT IS GND
4. WHEN C (RESET) IS UP T5, T4, T10 TURN OFF AND THE OUTPUT IS -60V
5. FAILURE TO RESET PROPERLY WILL RESULT IN BLOWN FUSE

PINS	SIGNAL NAME	WAVE SHAPE	LEVELS	
			MIN	MAX
E, B	N GATE	[Waveform]	UP +5.61	+6.24
			DOWN -1.19	-3.91
A, F	T SET	[Waveform]	UP -3.91	-7.71
			DOWN -5.46	-6.24
C	T RESET	[Waveform]	UP +1.44	+6.24
			DOWN -.81	-6.24
H, N		HAMMER CHECK DRIVE	UP	
			DOWN	
R, R	V OUTPUT	[Waveform]	UP -2.5	-0
			DOWN -54	-60



CIRCUIT AND PACKAGING STANDARD	
APPROVAL	DATE
ABC	4-2-62

INTERNATIONAL BUSINESS MACHINES CORP.		DATE	CHANGE NO.	APPROVAL	DATE	CHANGE NO.	APPROVAL	DEVELOPMENT NO.
NAME	CARD ASM TSTR -	6-11-62	115599					729803
DESIGN	MODEL							
DETAIL	RQ 3-1-62	SCALE	NONE					
CHECK	WH 3-1-62	DRAW	LIG 3-17-62					
APPRO	CHECK							

