

729887

STANDARD CODE

CARD CODE

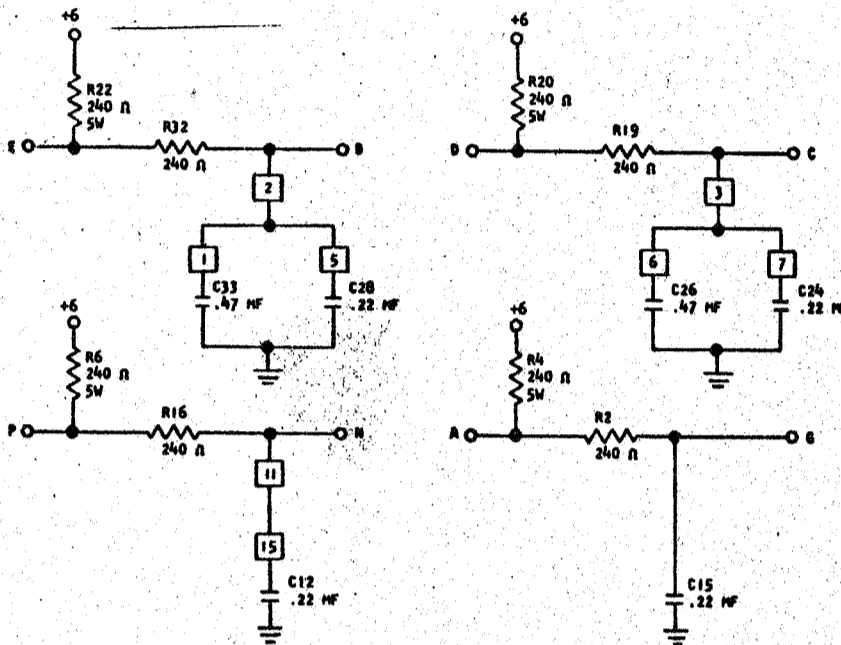
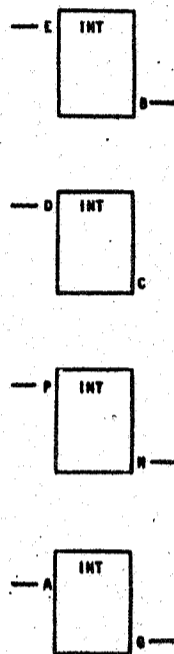
729887

NG XX

REFERENCE DRAWING

SEE PRODUCTION DRAWING 371996

CTDL - INTEGRATOR - U AND - T



APPLICATION

- USED TO PROVIDE AN OUTPUT THAT IS FREE OF INTERMITTENT FLUCTUATIONS RESULTING FROM BOUNCING OF MECHANICAL OPERATED CONTACTS
- B, C, N, G ARE AT +6 LEVEL IF CONTACT IS OPEN AND -6 LEVEL IF CLOSED
- WHEN THE INPUT IS MADE THROUGH A CAM TO 130 OHMS TIED TO -12 VOLTS, THE OUTPUT IS A-T LINE. DELAY IS AS FOLLOWS. RTH=325 OHMS. 3T=3RTH C.

	MINIMUM	MAXIMUM	CAPACITANCE
TURN ON	3T=510 USEC	3T=845 USEC	.69UF
TURN ON	348	580	.47UF
TURN ON	162	268	.22UF

RTH=480 OHMS

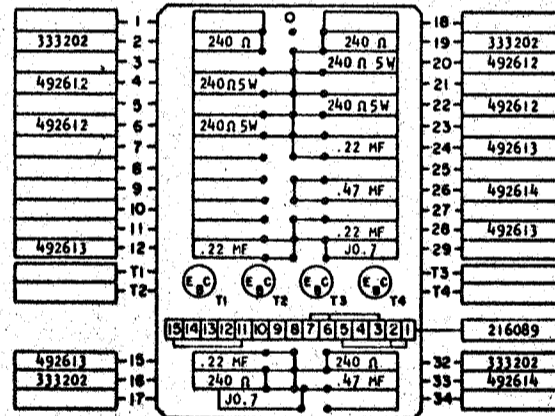
TURN OFF	3T=755	1250	.69UF
TURN OFF	514	852	.47UF
TURN OFF	240	400	.22UF

- WHEN THE INPUT IS MADE THROUGH A CAM TO -12 VOLTS, THE OUTPUT IS A-U LINE. DELAY IS AS FOLLOWS: RTH=240 OHMS

	MINIMUM	MAXIMUM	CAPACITANCE
TURN ON	3T=377 USEC	626 USEC	.69UF
TURN ON	257	426	.47UF
TURN ON	130	200	.22UF

RTH=480 OHMS

TURN OFF	3T=754 USEC	1254 USEC	.69UF
TURN OFF	514	852	.47UF
TURN OFF	240	400	.22UF



COMPONENT SIDE

CIRCUIT AND PACKAGING STANDARD	
APPROVAL	DATE
ABC	4-2-62

INTERNATIONAL BUSINESS MACHINES CORP.				DATE	CHANGE NO.	APPROVAL	DATE	CHANGE NO.	APPROVAL	DEVELOPMENT NO.
NAME CARD ASM TSTR - CTDL -				6-26-62	EC 115599					
INTEGRATOR - U AND - T				30.4-63	JT 83687					
DESIGN	RQ	3-1-62	SCALE	NONE						
CHECK	WH	3-1-62	DRAW	LIG 5-17-62						
APPRO			CHECK							

729887