

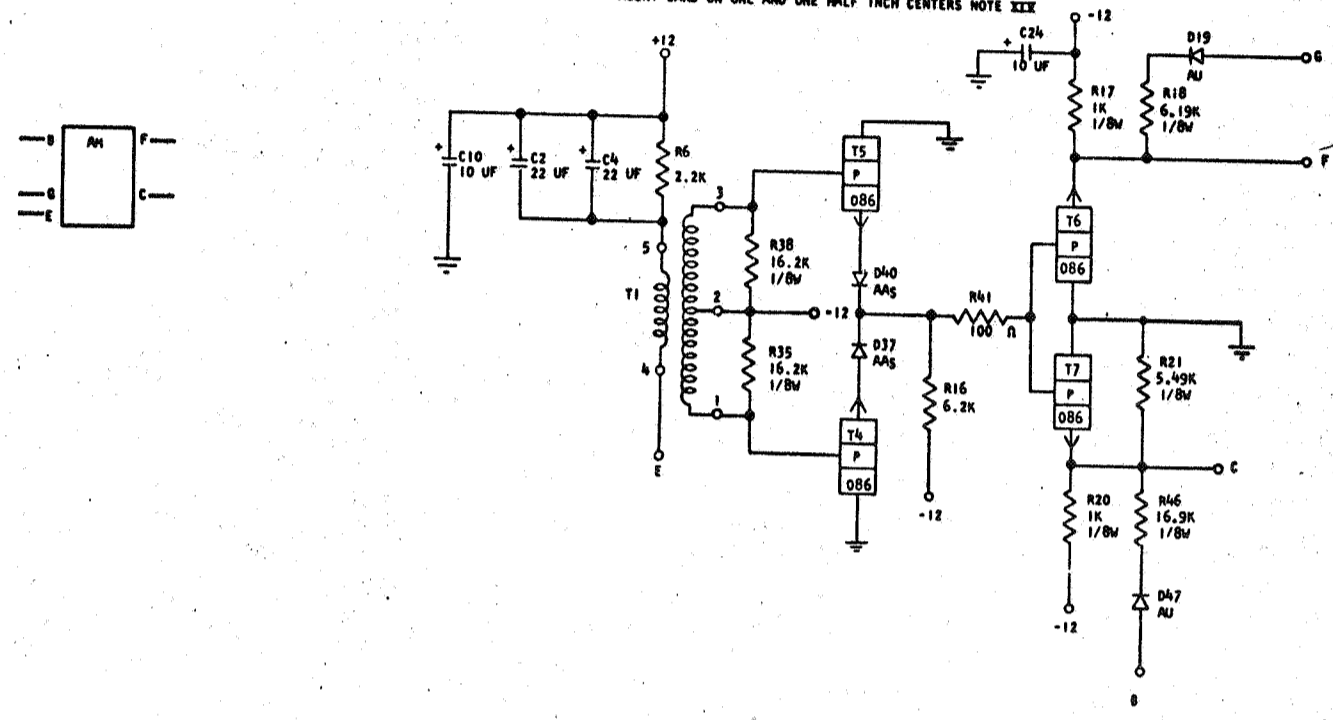
729956

STANDARDS CODE

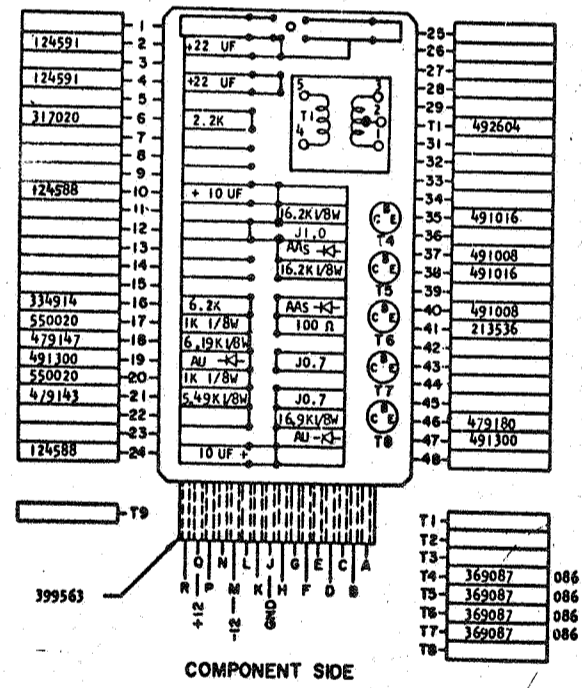
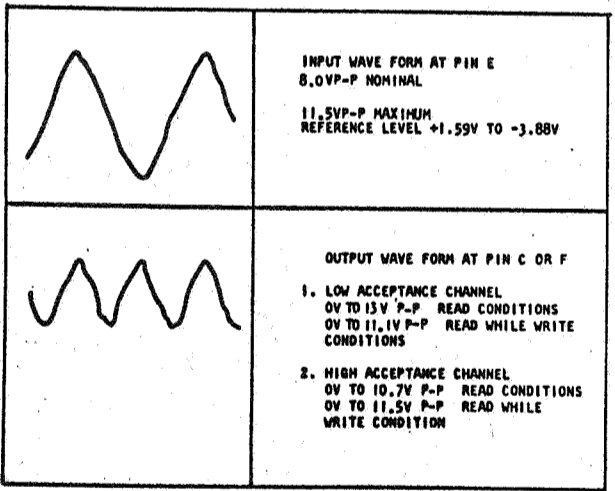
CARD CODE 729956
ASU -

REFERENCE DRAWING
SEE PRODUCTION DRAWING 372285

SENSE AMPLIFIER-RECTIFIER AND CLIPPER
MOUNT CARD ON ONE AND ONE HALF INCH CENTERS NOTE XXX



APPLICATION NOTES
VOLTAGES AT PIN 6 AND 9 FROM CLIPPING CARD



CIRCUIT AND PACKAGING STANDARD	
APPROVAL	DATE
ABC	4-2-62

INTERNATIONAL BUSINESS MACHINES CORP.				DATE	CHANGE NO.	APPROVAL	DATE	CHANGE NO.	APPROVAL	DEVELOPMENT NO.
NAME CARD ASH YSTR - SENSE AMPLIFIER-RECTIFIER AND CLIPPER				6-27-62	115599					729956
DESIGN RQ 3-1-62				30-4-63	JTB3687					
DETAIL RQ 3-1-62				SCALE	NONE					
CHECK WH 3-1-62				DRAW.	LIG	3-17-62				
APPROD				CHECK						

C