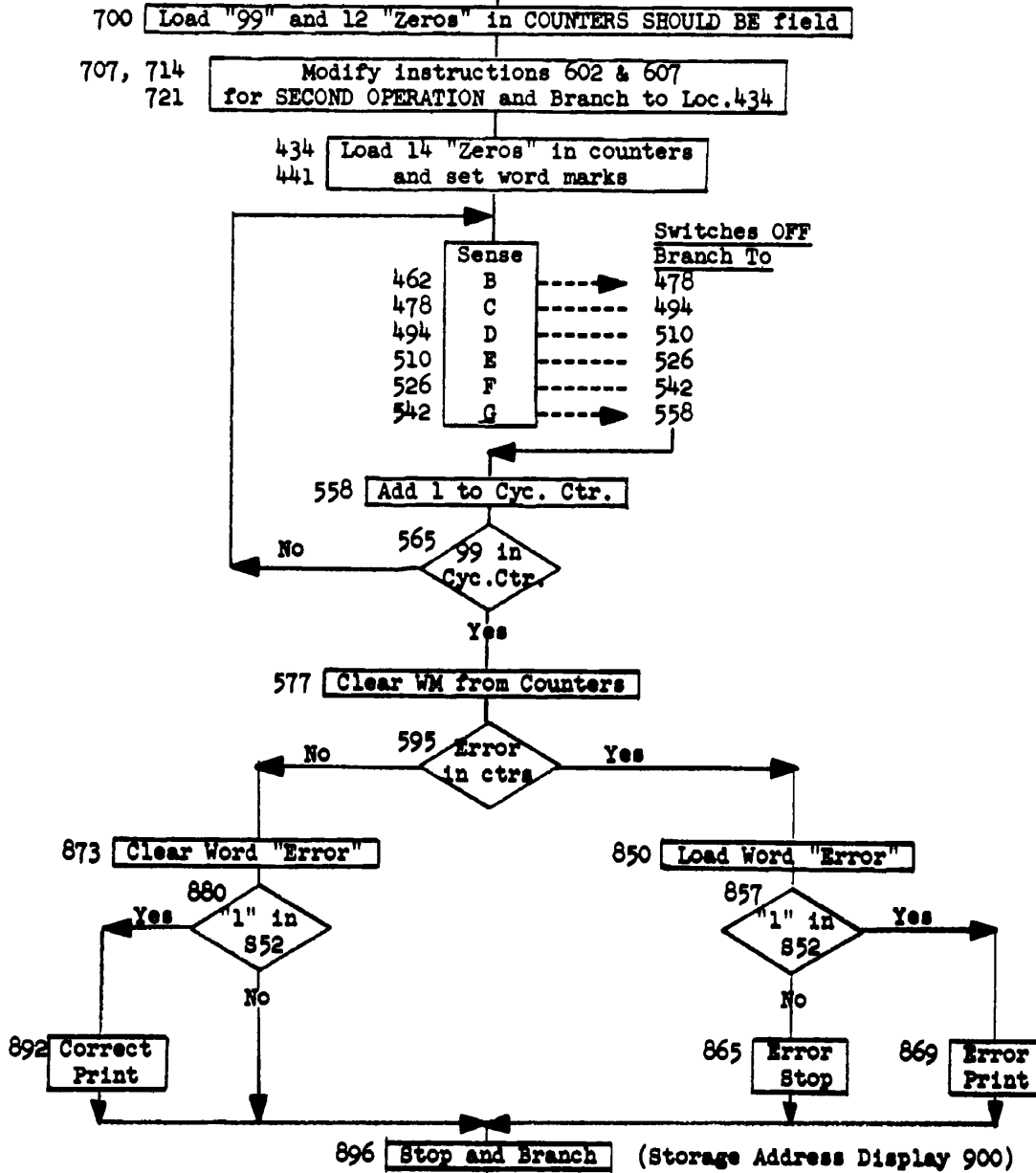


SENSE SWITCHES

FLOW CHART



To repeat program for second operation:
 1. Leave switches to OFF position
 2. Change .900 in Loc.896 to B700
 3. Re-start the program at Loc. 896

To continue with next test:
 1. Set switches as required
 2. Press Start Key