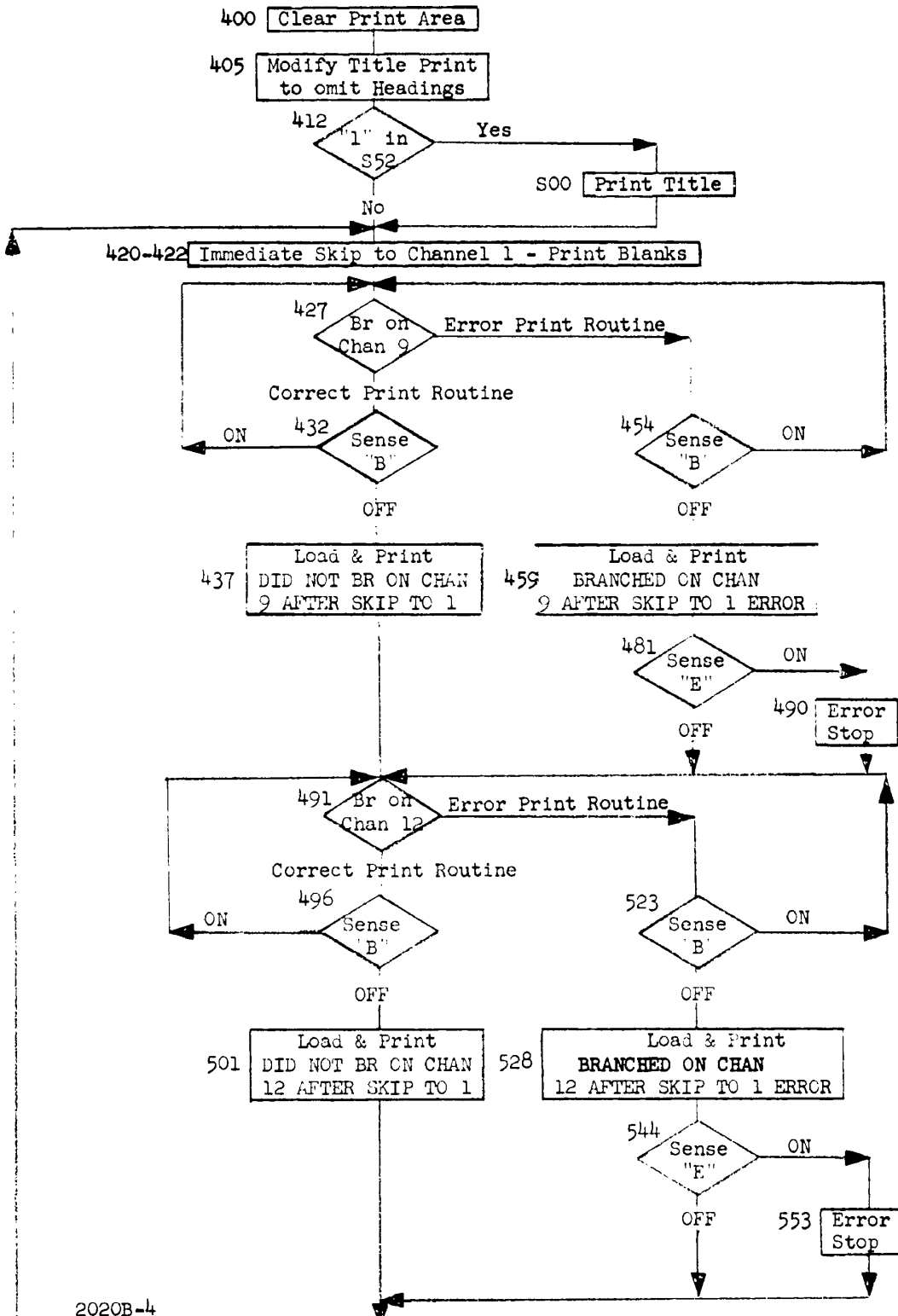


BRANCH CHANNEL 9 AND 12

Block No. 2020B

FLOW CHART



2020B-4

(To next page)