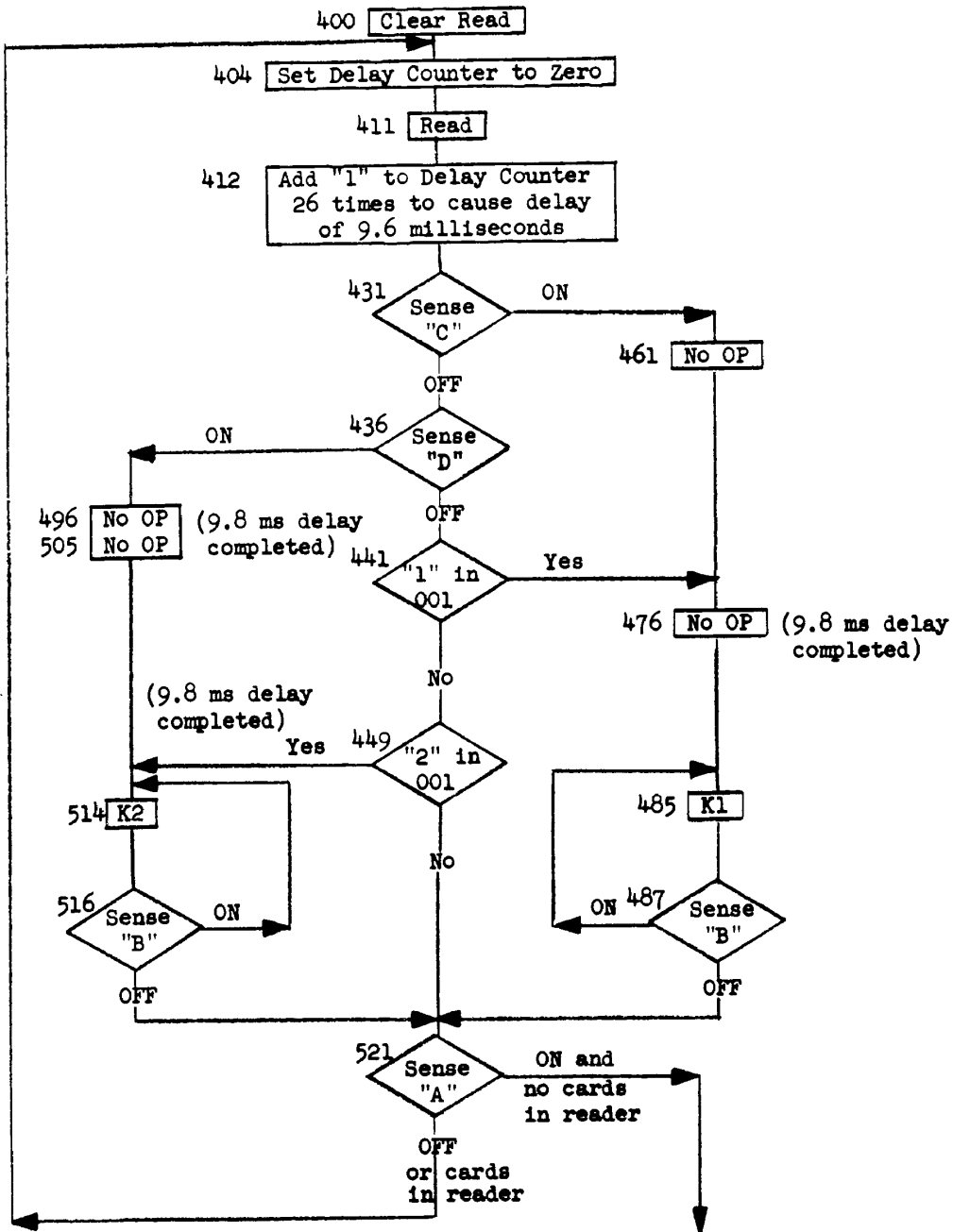


SELECT STACKER  
(Read)

Block No. 9000A

FLOW CHART



(To next page)