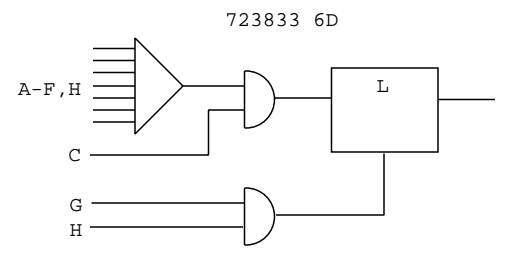
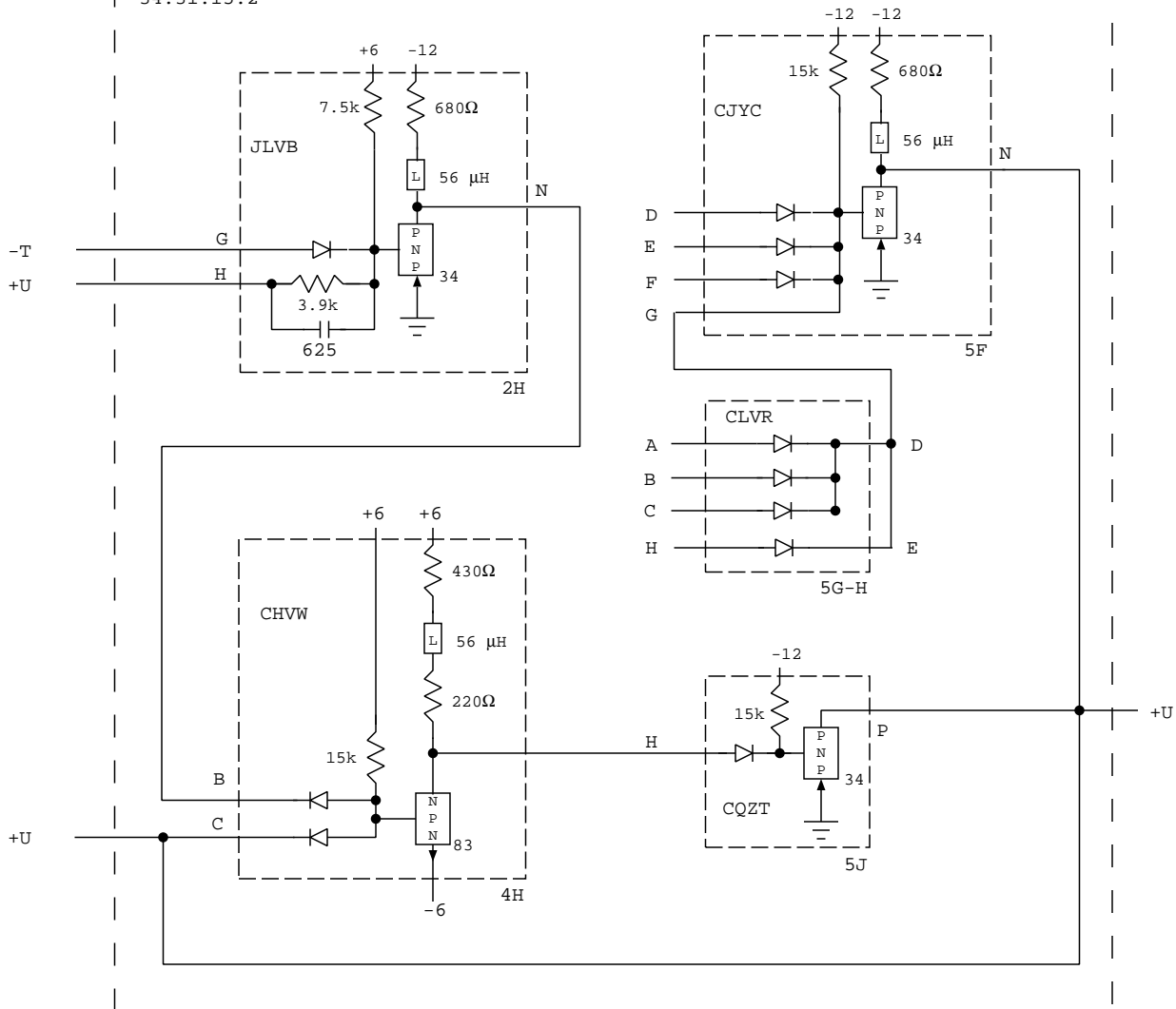


34.31.15.2



34 = 2N1303, 2N1309
 83 = 2N388, 2N1302
 Diodes = IBM AN = ?
 T = -6v .. +6v
 U = -12v .. 0v