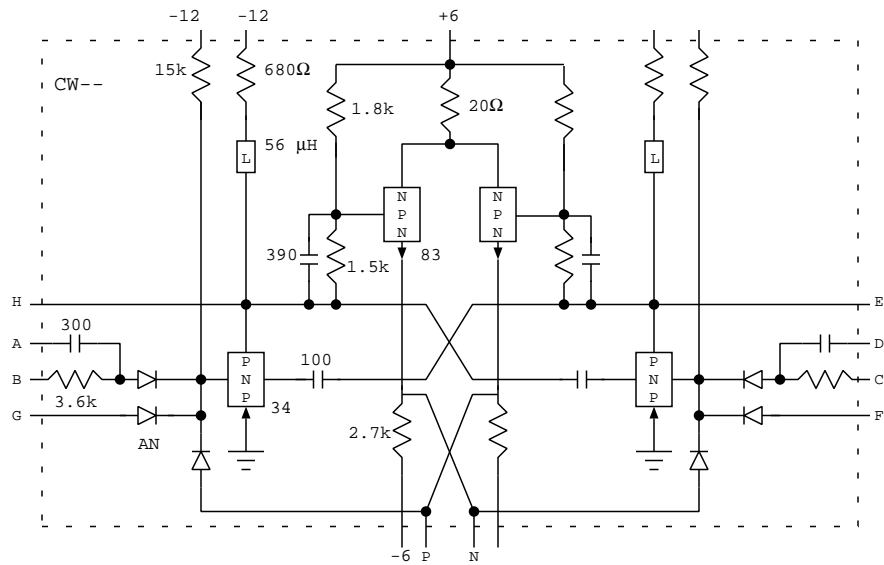


34 = 2N1303, 2N1309
 83 = 2N388, 2N1302
 AN = ?



34 = 2N1303, 2N1309
 83 = 2N388, 2N1302
 AN = ?