

Reference number of working document: **ISO/IEC JTC1/SC22/WG5 Nxxxx**

Date: 2019-04-18

Reference number of document:

Committee identification: ISO/IEC JTC1/SC22

Secretariat: ANSI

**Information technology — Programming languages — Fortran —
Containers**

*Technologies de l'information — Langages de programmation — Fortran —
Procédures d'accès aux structures de données*

(Blank page)

Contents

0	Introduction	1
0.1	History	1
0.2	The problems to be solved	1
0.3	What this technical specification proposes	2
1	General	1
1.1	Scope	1
1.2	Normative References	1
1.3	Nonnormative References	1
2	Requirements	2
2.1	General	2
2.2	Summary	2
2.3	Expressions of type SECTION	4
2.4	Input/output of objects of type SECTION	5
2.5	Updater subprogram	5
2.6	Auxiliary dummy argument for functions	8
2.7	Revised syntax to reference functions	9
2.8	Interfaces	9
2.9	Container	10
2.10	Instance variable and activation record	12
2.11	Reference to accessors	14
2.12	Executing container procedures	16
2.13	Relationship to DO CONCURRENT	16
2.14	Argument association of instance variables	16
2.15	Pointer association of instance variables	17
2.16	Compatible extension of substring range	17
2.17	Compatible extension of subscript triplet	17
2.18	Compatible extension of vector subscript	18
2.19	SECTION_AS_ARRAY (A)	18
2.20	Existing intrinsic functions as updaters	19
3	Extended example	20
3.1	General	20
3.2	A derived type to represent a sparse matrix	22
4	Required editorial changes to ISO/IEC 1539-1:2018(E)	25

Foreword

This technical specification specifies an extension to the computational facilities of the programming language Fortran. Fortran is specified by the International Standard ISO/IEC 1539-1:2019(E).

(Blank page)

0 Introduction

0.1 History

1 1 Very early after the use of software began, it was realized that the cost of a change to a program is more
2 likely to be proportional to the size of the program than the magnitude of the change.

3 2 John Backus sold FORTRAN to IBM president Tom Watson on the proposition that it would reduce
4 labor costs. Tom Watson sold it to IBM customers on the proposition that it would reduce labor costs.

5 3 Within fifteen years, several people realized that the failure of high-level programming languages to
6 reduce the cost of a change to a program, from being proportional to the size of the program to being
7 proportional to the magnitude of the change, was because the details of the implementation of each data
8 structure were exposed in the syntax used to reference the representation of the data.

9 4 Two fundamentally different methods were proposed to solve the problem.

10 5 In 1970 Douglas T. Ross proposed that the same syntax ought to be used to refer to every kind of data
11 object, and to procedures.

12 6 Charles M. Geschke and James G. Mitchell repeated this proposal in 1975.

13 7 In 1972 David Parnas proposed that this could largely be achieved by encapsulating all operations on a
14 data structure in a family of related procedures. Thereby, the difference to reference each kind of data
15 object, or a procedure, would be isolated into the collection of procedures that implement operations on
16 the data.

17 8 No major programming language has been revised to incorporate the principles advocated by Ross, or
18 by Geschke and Mitchell.

19 9 Rather, it has apparently been judged that the problem can be adequately solved by program authors
20 employing the principles advocated by Parnas.

21 10 Some languages have provided facilities that reduced the difference of syntax between different kinds of
22 data, and procedures. Univac FORTRAN V implemented statement functions as macros. As a conse-
23 quence, a reference to a statement function was permitted as the *variable* in an assignment statement if
24 its body would have been permitted. This was used to provide some of the functionality of derived-type
25 objects. The “component name” appeared in the syntactic position of a function name, and the “object”
26 appeared in the syntactic position of an argument.

27 11 POP-2 had procedures called *updaters* that could be invoked to receive a value in a variable-definition
28 context.

29 12 Python has procedures called *setters* that can be invoked to receive a value in a variable-definition
30 context. Python setters can only be type-bound entities.

31 13 This technical specification proposes an abstraction mechanism related to POP-2 updaters, and python
32 setters, called *updaters*.

0.2 The problems to be solved

33 1 There are two problems with the Parnas agenda.

34 2 First, it is difficult and costly to apply completely and consistently. If it hasn't been applied carefully
35 and completely during the original development of a program, the program is difficult to modify, and
36 the cost of modification will more likely be proportional to the size of the program rather than the
37
38

1 magnitude of the change.

2 3 Second, it is potentially inefficient, because all operations on data structures are encapsulated within
3 procedures. Awareness of this potential is an incentive not to use it carefully and completely.

4 **0.3 What this technical specification proposes**

5 1 This technical specification extends the programming language Fortran so that a data object and its
6 associated procedures can be defined together. This allows the representation of a data abstraction to
7 be changed between a data object and a procedure without changing the syntax of any references to it.

8 2 The facility specified by this technical specification is compatible to the computational facilities of Fortran
9 as standardized by ISO/IEC 1539-1:2019(E).

Information technology – Programming Languages – Fortran

Technical Specification: Containers

1 General

1.1 Scope

1 This technical specification specifies an extension to the programming language Fortran. The Fortran
2 language is specified by International Standard ISO/IEC 1539-1:2019(E) : Fortran. The extension allows
3 the representation of a data object and its associated procedures to be defined together. The new entity
4 allows the representation of a data object to be changed between an array and procedures, or between
5 a structure component and procedures, without changing the syntax of references to that data object.

6 Clause 2 of this technical specification contains a general and informal but precise description of the
7 extended functionalities. Clause 3 contains an extended example of the use of facilities described in this
8 technical specification.

1.2 Normative References

9 The following referenced documents are indispensable for the application of this document. For dated
10 references, only the edition cited applies. For undated references, the latest edition of the referenced
11 document (including any amendments) applies.

12 ISO/IEC 1539-1:2019(E) : *Information technology – Programming Languages – Fortran; Part 1: Base
13 Language*

1.3 Nonnormative References

14 The following references are useful to understand the history or facilities proposed in this document.

15 R. M. Burstall and R. J. Popplestone, **POP-2 Reference Manual**, Department of Machine Intelligence
16 and Perception, University of Edinburgh.

17 Charles M. Geschke and James G. Mitchell, *On the problem of uniform references to data structures*,
18 **IEEE Transactions on Software Engineering SE-2**, 1 (June 1975) 207-210.

19 David Parnas, *On the criteria to be used in decomposing systems into modules*, **Comm. ACM 15**, 12
20 (December 1972) 1053-1058.

21 D. T. Ross, *Uniform referents: An essential property for a software engineering language*, in **Software
22 Engineering 1** (J. T. Tou, Ed.), Academic Press, (1970) 91-101.

23 R. D. Tennent, **Principles of Programming Languages** (C. A. R. Hoare Ed.), Prentice-Hall Inter-
24 national Series in Computer Science (1981), ISBN:0137098731, page 114.

2 Requirements

2.1 General

- 1 The following subclauses contain a general description of the extensions to the syntax and semantics of the Fortran programming language to provide that the representation of a data abstraction can be changed between an array and a procedure, or between a structure component and a procedure, without changing the syntax of references to that data object.

2.2 Summary

2.2.1 General

- 1 This technical specification defines a new entity called a *container*. A container defines an activation record and at least two kinds of procedures: a function and a new kind of procedure called an *updater*. Together, functions and updaters define a generic procedure of the same name as the container, called an *accessor*. An accessor can be invoked in a data reference context, in which case one of its functions is executed and its result is a value. It can also be invoked in a variable definition context, in which case one of its updaters is executed and the value is associated with the acceptor variable of the updater. There is presently nothing comparable in Fortran, but updaters or accessors have been provided in other languages such as Mesa, POP-2, and Python. This dual nature of invocation allows the representation of a data abstraction to be changed from a data object to function and updater procedures, without changing the syntax of references to it.

- 2 In addition to an accessor, a container can provide subroutines, for initialization or other problem-specific purposes.

- 3 The type SECTION is defined. Objects of type SECTION have the same properties as section subscripts. The constructor for type SECTION has the same syntax as a section triplet. This allows variables and procedure dummy arguments that have those properties, which in turn allows the representation of a data abstraction to be changed between an array, and a container and its accessor, without changing the syntax of references to it.

2.2.2 Type SECTION

- 1 The purpose of type SECTION is to allow variables, named constants, and dummy arguments that represent array section descriptors. Therewith, a data object reference, or the variable in an assignment to an array section, can be replaced by a function or updater reference in which the array section index in the variable is replaced by a SECTION constructor actual argument, without any change to the syntax.

- 2 The type SECTION is defined in the intrinsic module ISO_Fortran_Env.

- 3 The type SECTION is a derived type with one kind type parameter and five protected components. The effect is as if it were declared using the following type declaration, which assumes existence of the PROTECTED attribute:

```

4  type :: SECTION ( Kind )
5      integer, kind :: Kind
6      integer(kind), protected :: LBOUND = -huge(0_kind)
7      logical, protected :: LOWER_BOUNDED
8      integer(kind), protected :: UBOUND = huge(0_kind)
9      logical, protected :: UPPER_BOUNDED
10     integer(kind), protected :: STRIDE
11 end type SECTION

```


1 5 The integer parts are the lower bound, the upper bound, and the stride. The logical parts indicate
 2 whether a value appeared in the type constructor, for the lower bound or the upper bound. The
 3 type SECTION is not a sequence derived type. Therefore, objects of type SECTION cannot be storage
 4 associated. A processor might represent one differently from a derived type. For example, the LOWER-
 5 BOUNDED and UPPER_BOUNDED components might be represented by two bits within one byte,
 6 or a reference to UPPER_BOUNDED (LOWER_BOUNDED) might be implemented as a reference to
 7 a zero-argument inlined function for which the result is true if and only if UBOUND == huge(0_kind)
 8 (LBOUND == -huge(0_kind)).

9 6 Because the type SECTION is a parameterized derived type, if a procedure has a dummy argument of
 10 type SECTION, it shall have explicit interface where it is referenced (subclause 15.4.2.2, item (3)(e), in
 11 ISO/IEC 1539-1:2019(E)).

12 2.2.3 Constructor for values of type SECTION

13 1 An object of type SECTION can be constructed using the same syntax as *subscript-triplet*. If the stride
 14 is not specified its value is 1.

NOTE 2.1

Although an object of type SECTION can be constructed using the same syntax as a constructor for an object of derived type, it is important that the constructor for objects of type SECTION be the same as *subscript-triplet*, not the same as a constructor for an object of derived type.

15 2.2.4 Constructing an array from a SECTION object

16 1 The type SECTION has a type-bound procedure named SECTION_AS_ARRAY that produces a rank-
 17 one integer array whose values are the same as would be denoted by an equivalent subscript triplet. It
 18 shall not be invoked if LOWER_BOUNDED or UPPER_BOUNDED has the value false.

19 2.2.5 Definition of containers

20 1 A new program unit called a CONTAINER is defined. A container defines an activation record, one or
 21 more functions to reference the activation record, one or more updaters to modify the activation record,
 22 an accessor composed of those functions and updaters, and it may define subroutines to initialize the
 23 activation record, or for other problem-dependent purposes.

24 2 When an accessor is referenced to provide the value of a primary during evaluation of an expression, one
 25 of its functions is invoked, and the result value is provided in the same way as by a function subprogram.
 26 When an accessor is referenced in a variable definition context, one of its updaters is invoked, and the
 27 value to be defined is transferred to the updater in its acceptor variable.

28 2.2.6 Syntax to reference accessor procedures

29 1 A reference to an accessor is permitted where a reference to or definition of a variable is permitted.

NOTE 2.2

For example, an accessor reference can appear within an expression, as the *variable* in an intrinsic assignment statement, in an input/output list in either a READ or WRITE statement, in place of a *variable* in a control information list. . . .

30 2 An accessor is referenced using an extension of the syntax to reference a function. The extended syntax is
 31 the same as is used to reference an array or a character substring, which in turn allows the representation
 32 of an object to be changed between a function and updater, and a character scalar or an array, without
 33 changing the syntax of references to it.

- 1 3 Where a reference appears in a value reference context, an accessor function is invoked to produce
 2 a value. Where it appears in a variable definition context, an accessor updater is invoked to accept a
 3 value. Where it appears as an actual argument associated with a dummy argument, a temporary variable
 4 having the same type, kind, and rank as the accessor functions and updaters is created, and associated
 5 with the corresponding dummy argument. The dummy argument shall not have assumed rank. If
 6 the dummy argument has INTENT(IN), an accessor function is invoked to produce a value before the
 7 procedure to which it is an actual argument is invoked. If the dummy argument has INTENT(OUT),
 8 an accessor updater is invoked to accept a value after the invoked procedure completes execution. If the
 9 dummy argument has INTENT(INOUT) or unspecified intent, an accessor function function is invoked
 10 to produce a value before the procedure to which it is an actual argument is invoked, and an accessor
 11 updater is invoked to accept a value after the invoked procedure completes execution. If the dummy
 12 argument does not have INTENT(IN) and is allocatable, the temporary variable is also allocatable.
- 13 4 An accessor function or updater is not required to have nonoptional dummy arguments. Unlike the syntax
 14 for functions, where it is referenced without actual arguments, it need not include empty parentheses.
 15 This permits an accessor and scalar variable to be interchanged, or references to or definition of a whole
 16 array to be replaced by references to functions and updaters of an accessor.
- 17 5 The result variables of accessor functions cannot be procedure pointers. Therefore,
- 18 • where a procedure is referenced with an instance variable as an actual argument that corresponds
 19 to an instance variable dummy argument, the instance variable is the argument; the accessor is
 20 not invoked to produce or receive a value corresponding to the dummy argument, and
 - 21 • where an instance variable appears as the *instance-target* in a pointer assignment statement, the
 22 function part of the accessor is not invoked.

Unresolved Technical Issue Concerning procedure pointers result variables

C1524b (below) might allow the result variables of accessor functions to be procedure pointers.

23 2.3 Expressions of type SECTION

- 24 1 The syntax of *expr* is extended to include the constructor for objects of type SECTION.
- 25 R1022 *expr* **is** *level-6-expr*
 26 **or** *section-constructor*
- 27 R1022a *level-6-expr* **is** [*level-6-expr defined-binary-op*] *level-5-expr*
- 28 R758a *section-constructor* **is** [*scalar-int-expr*] : [*scalar-int-expr*] [: *scalar-int-expr*]
- 29 2 A *section-constructor* constructs an object of type SECTION. The value of the kind type parameter of
 30 the object is the kind type parameter of the *scalar-int-expr* that has the greatest number of decimal
 31 digits, if any *scalar-int-expr* appears. Otherwise, the value of the kind type parameter is the value of
 32 default integer kind. The first *scalar-int-expr* provides the lower bound for the section. If it does not
 33 appear, the value of the LBOUND component of the value is $-\text{HUGE}(0_kind)$. The second *scalar-int-*
 34 *expr* provides the upper bound for the section. If it does not appear, the UBOUND component of the
 35 value is $\text{HUGE}(0_kind)$. The third provides the stride. If it does not appear the value of the stride is 1.
 36 Its value shall not be zero. The LOWER_BOUNDED component of the value is true if and only if the
 37 first *scalar-int-expr* appears. The UPPER_BOUNDED component of the value is true if and only if the
 38 second *scalar-int-expr* appears.
- 39 3 No intrinsic operations are defined for objects of type SECTION.
- 40 4 Intrinsic assignment is defined for objects of type SECTION. The kind type parameter values of the

1 *variable* and *expr* are not required to be the same. The components of *expr* are assigned to corresponding
 2 components of *variable* as if by intrinsic assignment, except that if the LOWER_BOUNDED (UPPER_
 3 BOUNDED) component of *expr* is false, the LBOUND (UBOUND) component of *variable* is assigned
 4 the value $-\text{HUGE}(\text{variable}\% \text{LBOUND})$ ($\text{HUGE}(\text{variable}\% \text{UBOUND})$).

5 5 Where an object of type SECTION appears as an actual argument to a specific procedure, the value of
 6 its kind type parameter shall be the same as the value of the kind type parameter of the corresponding
 7 dummy argument if the dummy argument does not have the VALUE attribute. If the dummy argument
 8 has the VALUE attribute, the actual argument is assigned to the dummy argument as if by intrinsic
 9 assignment.

10 2.4 Input/output of objects of type SECTION

11 1 When an object of type SECTION appears as a *variable* in an *input-item-list* or *output-item-list*, it is
 12 processed as a derived-type object using a type-bound defined input/output procedure, defined in the
 13 intrinsic module ISO_Fortran_Env. If it is a *variable* in an *input-item-list* and the value of the LOWER_
 14 BOUNDED (UPPER_BOUNDED) component of the input value is false, the LBOUND (UBOUND)
 15 component is assigned the value $-\text{HUGE}(\text{variable}\% \text{LBOUND})$ ($\text{HUGE}(\text{variable}\% \text{UBOUND})$), regard-
 16 less of the value of any input item that is provided. The value of the stride component shall not be
 17 zero. If an input item is processed by list-directed formatting and no value is provided for the LBOUND
 18 (UBOUND) component, it is assigned the value $-\text{HUGE}(\text{variable}\% \text{LBOUND})$ ($\text{HUGE}(\text{variable}\% \text{UBOUND})$).
 19 If no value is provided for the STRIDE component, it is assigned the value 1.

20 2.5 Updater subprogram

21 2.5.1 Syntax

22 1 An updater subprogram defines a procedure for which references can appear in variable-definition con-
 23 texts.

24 R1537a *updater-subprogram* **is** *updater-stmt*
 25 [*specification-part*]
 26 [*execution-part*]
 27 [*internal-subprogram-part*]
 28 *end-updater-stmt*

29 R1537b *updater-stmt* **is** [*prefix*] UPDATER *updater-name* ■
 30 ■ [([*dummy-arg-name-list*]) ■
 31 ■ [(*aux-dummy-arg-name*)]] ■
 32 ■ [ACCEPT (*acceptor-arg-name*)]

33 R1537c *acceptor-arg-name* **is** *name*

34 R1537d *end-updater-stmt* **is** END [UPDATER [*updater-name*]]

35 C1567a (R1537c) *acceptor-arg-name* shall not be the same as *updater-name*. It shall have the VALUE
 36 or INTENT(IN) attributes. It shall not have the ALLOCATABLE or POINTER attribute.

37 C1567b (R1537a) *aux-dummy-arg-name* shall be a scalar of type SECTION and have the INTENT(IN)
 38 or VALUE attributes. It shall not have the POINTER or ALLOCATABLE attribute.

39 C1537c (R1537d) If an *updater-name* appears in the *end-updater-stmt*, it shall be identical to the
 40 *updater-name* specified in the *updater-stmt*.

41 C1567d (R1537a) An ENTRY statement shall not appear within an updater subprogram.

1 R503 *external-subprogram* is ...
 2 or *updater-subprogram*

3 R1408 *module-subprogram* is ...
 4 or *updater-subprogram*

5 2 The type and type parameters (if any) of the value accepted by the updater may be specified by a type
 6 specification in the UPDATER statement or by the name of the acceptor variable appearing in a type
 7 declaration statement in the specification part of the updater subprogram. They shall not be specified
 8 both ways. If they are not specified either way, they are determined by the implicit typing rules in
 9 effect within the updater subprogram. If the acceptor variable is an array, this shall be specified by
 10 specifications of the acceptor variable name within the specification part of the updater subprogram.
 11 The specifications of the acceptor variable attributes, the specifications of the dummy argument and
 12 auxiliary dummy argument attributes, and the information in the UPDATER statement collectively
 13 define the characteristics of the updater.

14 3 If ACCEPT appears, the name of the acceptor variable is *acceptor-arg-name* and all occurrences of the
 15 updater name in the *execution-part* statements in its scope refer to the updater itself. If ACCEPT does
 16 not appear, the name of the acceptor variable is *updater-name* and all occurrences of the updater name
 17 in the *execution-part* statements in its scope refer to the acceptor variable.

18 4 The acceptor variable is considered to be a dummy argument. Unless it has the VALUE attribute, it is
 19 assumed to have the INTENT(IN) attribute, and this may be confirmed by explicit specification.

NOTE 2.3

If ACCEPT (*acceptor-arg-name* appears, the acceptor variable is required to have the INTENT(IN)
 or VALUE attributes.

20 2.5.2 Updater reference

21 1 The syntax to reference an updater is similar to the syntax to reference a function. If an updater is
 22 referenced without arguments, empty parentheses are not required to appear.

23 R1521b *updater-reference* is *procedure-designator* [([*actual-arg-spec-list*])] ■
 24 ■ [(*aux-actual-arg*)]

25 C1525c (R1521b) *procedure-designator* shall designate an updater procedure.

26 C1525d (R1521b) If *aux-actual-arg* appears and the designated procedure has an actual argument of
 27 type SECTION, ([*actual-arg-spec-list*]) shall appear.

28 2 An updater can only be invoked in a variable-definition context.

29 R902 *variable* is ...
 30 or *updater-reference*

31 C902a (R902) A *variable* shall not be *updater-reference* except where it appears in a variable-definition
 32 context.

33 3 When an updater is invoked, the following events occur, in the order specified:

34 1. Actual arguments, if any, are evaluated.

35 2. Actual arguments are associated to corresponding dummy arguments. The value to define is
 36 considered to be an actual argument, and is associated to the updater's acceptor variable.

- 1 3. The updater is invoked.
- 2 4. Execution of the updater is completed by execution of a RETURN statement or by execution of
- 3 the last executable construct in the *execution-part*.

NOTE 2.4

One way to think about an updater reference is that it is a time-reversed function reference.

4 **2.5.3 Generic interface**

- 5 1 Generic interfaces are extended to allow updaters. Further, a function and an updater can have the
- 6 same generic name. A generic identifier for an updater shall be a generic name. See subclause 2.8.

7 **2.5.4 Example****NOTE 2.5**

This example illustrates the use of a function and updater together to access a complex variable.

Assume that a program contains a complex variable represented in Cartesian form, i.e., using the intrinsic COMPLEX type.

```
complex :: Z
z = 0.75 * sqrt(2.0) * cplx ( 1.0, 1.0 ) ! Modulus is 1.5
print *, 'Z = ', z
print *, 'Abs(Z) = ', z ! Prints approximately 1.5
```

Assume it is necessary somewhere to change the modulus of the variable, but not its phase:

```
z = newModulus * ( z / abs(z) )
print *, 'Revised Z = ' )
```

This would be clearer using an updater:

```
pure real updater Set_Complex_Abs ( Z ), accept ( V )
  complex, intent(inout) :: Z
  z = v * ( z / abs(z) )
end updater Set_Complex_Abs

generic :: Abs => Set_Complex_Abs

print *, 'Abs(Z) = ', z ! Prints approximately 1.5
abs(z) = 0.5 * sqrt(2.0)
print *, 'Revised Z = ', z ! prints approximately 1.0, 1.0
```

Assume this happens sufficiently frequently that the program would be more efficient if complex numbers were represented in polar form:

```
type :: Polar_Complex
  real :: Modulus
  real :: Phase ! Radians
```

NOTE 2.5 (cont.)

```

end type Polar_Complex

pure real function Get_Polar_Abs ( Z )
  type(polar_complex), intent(in) :: Z
  get_polar_abs = z%modulus
end function Set_Polar_Abs

pure real updater Set_Polar_Abs ( Z ) accept ( V )
  type(polar_complex), intent(inout) :: Z
  z%modulus = v
end updater Set_Polar_Abs

pure real updater Set_Cartesian_Abs ( Z ) accept ( V )
  complex, intent(inout) :: Z
  z = v * ( z / abs(z) )
end updater Set_Cartesian_Abs

generic :: Abs => Get_Polar_Abs, Set_Polar_Abs, Set_Cartesian_Abs

type(polar_complex) :: Z
complex :: Z

z = polar_complex ( modulus=1.5, phase=atan(1.0) )
print *, 'Z = ', z
print *, 'Abs(Z) = ', abs(z)           ! prints 1.5
abs(z) = 0.5 * sqrt(2.0) ! Change the modulus but not the phase
print *, 'Revised Abs(z) = ', abs(z) ! prints approximately 0.7071

```

Notice that the statement

```
abs(z) = 0.5 * sqrt(2.0)
```

is the same in both cases. This is a simple example of the principles described by Ross, and by Geschke and Mitchell. Providing the UPDATER subprogram allows to illustrate the principles described by Parnas. In all cases, the cost to modify the program is more likely to be proportional to the magnitude of the change than to the size of the program.

An extended example illustrating the application to a sparse matrix appears in clause 3.

1 2.6 Auxiliary dummy argument for functions

2 1 To allow a reference to a character variable to be replaced by a function reference, without change to the
3 syntax, a function may have an auxiliary argument that appears in the position of a substring designator.

4 R1530 *function-stmt* is [*prefix*] FUNCTION *function-name* ■
5 ■ [([*dummy-arg-name-list*]) ■
6 ■ [(*aux-dummy-arg-name*)]] [*suffix*]

7 C1561b (R1530) *aux-dummy-arg-name* shall be a scalar of type SECTION and have the INTENT(IN)
8 or VALUE attributes. It shall not have the POINTER or ALLOCATABLE attribute.

2.7 Revised syntax to reference functions

1 To allow a whole-array reference to be replaced by a function reference, without change to the syntax,
 2 a function that has no non-optional arguments can be referenced without an empty argument list in
 3 parentheses.
 4

5 2 To allow a reference to a character variable to be replaced by a function reference, without change to the
 6 syntax, a function may have an auxiliary argument that appears in the position of a substring designator.

7 R1520 *function-reference* is *procedure-designator* [([*actual-arg-spec-list*])] ■
 8 ■ [(*aux-actual-arg*)]

9 C1524a (R1520) If (*actual-arg-spec-list*) and (*aux-actual-arg*) do not appear, *procedure-designator*
 10 shall have explicit interface.

11 C1524b (R1520) If (*actual-arg-spec-list*) and (*aux-actual-arg*) do not appear, and the result of the
 12 function is a procedure pointer having the same interface as the function, *procedure-designator*
 13 shall not be an actual argument or *proc-target*.

NOTE 2.6

The effect of C1524b is that if a *procedure-designator* appears as an actual argument or *proc-target*, and is not followed by (*actual-arg-spec-list*) and (*aux-actual-arg*), it is not a function reference; it designates the function, which then corresponds to the actual argument, or becomes associated with the *proc-pointer-object*. If it is desired to invoke such a function without (*actual-arg-spec-list*) and (*aux-actual-arg*), and use the result as an actual argument or *proc-target*, enclose the *function-reference* in parentheses.

Unresolved Technical Issue concerning procedure pointer function results

C1524b might allow the results of accessor functions to be procedure pointers.

14 C1524c (R1520) If *aux-actual-arg* appears and the designated procedure has an actual argument of type
 15 SECTION, ([*actual-arg-spec-list*]) shall appear.

2.8 Interfaces

2.8.1 Revised syntax of interface blocks

1 The syntax of interface blocks is extended to allow updater interface bodies.

19 R1505 *interface-body* is *function-interface*
 20 or *subroutine-interface*
 21 or *updater-interface*

22 R1505a *function-interface* is *function-stmt*
 23 [*specification-part*]
 24 *end-function-stmt*

25 R1505b *subroutine-interface* is *subroutine-stmt*
 26 [*specification-part*]
 27 *end-subroutine-stmt*

28 R1505c *updater-interface* is *updater-stmt*
 29 [*specification-part*]
 30 *end-updater-stmt*

1 **2.8.2 Generic interfaces**

2 1 Generic interfaces are extended to allow updaters and instance references (2.10.2).

3 R1507 *specific-procedure* **is** *procedure-name*
4 **or** *instance-reference*

5 C1509 (R1501) An *interface-specification* in a generic interface block shall not specify a procedure or
6 instance reference that was previously specified in any accessible interface with the same generic
7 identifier.

8 C1509a (R1508) A *generic-spec* that is not *generic-name* shall not identify an instance reference.

9 C1510 (R1510) A *specific-procedure* in a **GENERIC** statement shall not specify a procedure or instance
10 reference that was specified in any accessible interface with the same generic identifier.

11 2 If a generic interface specifies an instance reference for a container, it specifies that all of the specific
12 procedures in the accessor identified by the instance variable name are accessible using that generic
13 identifier.

14 3 A generic interface can specify specific procedures that are subroutines, functions, updaters, and instance
15 references. Two procedures in a generic interface are distinguishable if they are not defined by the same
16 kind of program unit. For example, a function and updater are distinguishable. The form of reference
17 specifies the kind of procedure to be invoked. For example, a function or updater cannot be invoked by
18 a **CALL** statement.

NOTE 2.7

The only way to specify a generic identifier for an instance reference is by using a **GENERIC** statement. There is no syntax to specify a generic identifier for an instance reference using an interface block.

Even though an instance reference identifies a container (2.9), which specifies a generic interface for all its contained procedures, an instance reference is nonetheless allowed as a specific name in a generic interface. This allows, for example, to combine references for instances of containers that have different kind type parameters. This is especially important in conjunction with facilities for generic programming.

19 **2.8.3 Explicit interface**

20 1 A subprogram shall have explicit interface where it is referenced if it has a dummy procedure argument
21 that is an updater or an instance reference.

22 **2.9 Container**

23 **2.9.1 Container definition**

24 1 A container defines an activation record, and may define subroutines, functions, updaters, and an acces-
25 sor.

26 2 A container definition is similar to a derived type definition. One important difference is that procedures
27 are defined within it, not bound to it. Its specification part declares and defines entities within instance
28 variables. Procedures defined within its *accessor-subprogram-part* have access to instance variables, and
29 entities within them, using host association.

30 R1526a *container-def* **is** *container-stmt*

1 [*specification-part*]
 2 *container-subprogram-part*
 3 *end-container-stmt*

4 R1526b *container-stmt* **is** CONTAINER [, *access-spec*] [::] *container-name* ■
 5 ■ [(*type-param-name-list*)]

6 R1526c *container-subprogram-part* **is** *contains-stmt*
 7 [*container-subprogram ...*]

8 R1526d *container-subprogram* **is** *function-subprogram*
 9 **or** *subroutine-subprogram*
 10 **or** *updater-subprogram*

11 R1526e *end-container-stmt* **is** END [CONTAINER [*container-name*]]

12 C1551a (R1526c) If *container-name* appears in the *end-container-stmt*, it shall be identical to the
 13 *container-name* specified in the *container-stmt*.

14 C1551b (R1526a) The SAVE attribute shall not be specified for a variable declared within the *specification-*
 15 *part* of a container.

16 C1551c (R1526a) The *internal-subprogram-part* shall contain at least one function and at least one
 17 updater.

18 3 If the declaration of a variable in the specification part of a container includes *initialization*, the effect is
 19 as it were *component-initialization*. Instantiation of an instance variable includes default initialization
 20 of its variables, as if the instance variable were a derived-type object. The appearance of *initialization*
 21 does not imply the SAVE attribute.

22 4 A container can be declared within the specification part of a main program, subprogram, container, or
 23 module.

24 R508 *specification-construct* **is** ...
 25 **or** *container-def*

26 2.9.2 PUBLIC and PRIVATE entities of a container

27 1 An *access-stmt* may appear within a container.

28 C869 An *access-stmt* shall appear only in the *specification-part* of a module or container. Only one
 29 accessibility statement with an omitted *access-id* is permitted in the *specification-part* of a
 30 module or container.

31 C869a If an *access-stmt* appears in a container, the entities specified by *access-id* shall be container
 32 procedures or ASSIGNMENT(=) generic identifiers.

33 2 The default accessibility of container procedures and ASSIGNMENT(=) generic identifiers in a container
 34 is PUBLIC.

35 2.9.3 Container subroutine

36 1 A container subroutine is a subroutine subprogram that is defined within the container definition. It
 37 can be used to initialize an instance variable of the container, to which it has access by host association,
 38 or for other problem-dependent purposes.

1 2.9.4 Container function

2 1 A container function is a function subprogram that is defined within the container definition. Its usual
3 but not exclusive purpose is to access an instance variable of the container, to which it has access by host
4 association. The function subprogram dummy argument list is extended by one additional argument
5 so that the syntax to reference a function can be compatible with the syntax to reference a character
6 variable.

```
7 R1530 function-stmt          is [ prefix ] FUNCTION function-name ■
8                               ■ ( [ dummy-arg-name-list ] ) [ ( aux-dummy-arg-name ) ] ■
9                               ■ [ suffix ]
```

10 R1530a *aux-dummy-arg-name* is *name*

11 C1561a (R1530a) *aux-dummy-arg-name* shall be a scalar of type SECTION and have the INTENT(IN)
12 or VALUE attributes. It shall not have the POINTER or ALLOCATABLE attribute.

NOTE about C1563

A container function within an internal container may have an internal subprogram.

13 2.9.5 Container updater

14 1 A container updater is an updater subprogram that is defined within the container program unit. Its
15 usual but not exclusive purpose is to modify an instance variable of the container, to which it has access
16 by host association.

17 2.9.6 Pure container subprograms

18 1 Variables that are declared in the specification part of the container, which are accessible by host
19 association within container subprograms, may appear in variable definition contexts within those pure
20 container subprograms. Variables that are not declared in the specification part of the container, but
21 that are accessed by host or use association within pure container subprograms, shall not appear in
22 variable definition contexts within those pure container subprograms.

23 2.10 Instance variable and activation record

24 2.10.1 Activation record

25 1 The purpose of an activation record is collect the definitions of the data entities and methods to represent,
26 reference, update, and otherwise manipulate a data structure or container. This allows more than one
27 data structure or container to have the same representation and methods to reference it, update its
28 contents, and otherwise manipulate it.

29 2 If a data structure were represented by a data object, a function, and a free-standing updater procedure,
30 the function and updater would access the data object by host association. Accessing a function and
31 free-standing updater by USE association does not change the entities to which they have access by
32 host or USE association. Therefore, it would not be possible to have more than one data object, except
33 by physically copying the program unit text, effectively copying it using INCLUDE statements, or
34 instantiating it using a generic mechanism such as a parameterized module, template, or macro.

35 3 The internal state of a container is represented by an activation record.

36 4 The activation record is declared by the variable declarations within the specification part of the con-
37 tainer, as if it were the definition of a private non-sequence derived type with private components.

1 **2.10.2 Instance variable declaration**

- 2 1 An instance variable represents an activation record.

NOTE 2.8

Instance variables allow a single collection of functions, updaters, and subroutines to have independent persistent states that are not represented only by their arguments, and variables accessed by host or use association. Without instance variables, functions and updaters are limited to operations on their arguments, or variables they access by host or use association. Without instance variables, to have independent persistent states, other than by argument association, it is necessary to copy data declarations, functions, updaters, and subroutines to different scoping units, either physically or by using INCLUDE statements, or by instantiating a program unit using a generic mechanism such as a parameterized module, template, or macro. A function or updater that is accessed by host or use association is the same entity in every scoping unit, and accesses the same scope by host association.

If it is necessary to revise a program so that several similar objects that need independent persistent states are represented by functions and updaters instead of variables, it is necessary either to copy the procedures to different scoping units, one for each persistent state, provide the persistent state explicitly using additional arguments, or use instance variables. Scoping units are not allocatable, so the “copy” strategy is limited to fixed numbers of persistent states. If the persistent states were to be provided using argument association, each persistent state, a sparse matrix for example, would need to be provided as an argument in addition to, for example, subscripts. This would require all references to and definitions of each original entity to be revised.

- 3 2 An instance variable is not a derived-type object. Entities within the specification part of the container
 4 are not accessible as if they were components, using structure-component reference syntax as described
 5 in subclause 9.4.2 of ISO/IEC 1539-1:2019(E).

Unresolved Technical Issue concerning access to container specification parts

It is possible in principle to expose entities within the specification part of the container as if they were components of an object of derived type. Whether this additional complication is desirable can be decided in due course.

- 6 R703 *declaration-type-spec* **is** ...
 7 **or** *instance-declaration*
- 8 R1518a *instance-declaration* **is** CONTAINER (*container-name*) [[, *instance-attr-spec*] ::] ■
 9 ■ *instance-variable-name*
- 10 R1518b *instance-attr-spec* **is** GENERIC (*generic-name*)
 11 **or** *attr-spec*
- 12 C1521a (R1518b) An *attr-spec* shall not be ASYNCHRONOUS, CODIMENSION, CONTIGUOUS, DI-
 13 MENSION, EXTERNAL, INTRINSIC, *language-binding-spec*, PARAMETER, or VOLATILE.

NOTE 2.9

An instance variable is always a noncoarray scalar.

- 14 3 If GENERIC (*generic-name*) appears it is a generic identifier for the functions and updaters defined
 15 within the container, and *instance-variable-name* identifies the activation record. If GENERIC (*generic-*
 16 *name*) does not appear, *instance-variable-name* is a generic identifier for the functions and updaters
 17 defined within the container and the instance variable is not accessible by *instance-variable-name*.

- 1 4 An instance variable shall not be a subobject of a coarray or coindexed object.

Unresolved Technical Issue Concerning coarrays

It might be reasonable to allow an instance variable to be a subobject of a coarray, so long as it is not referenced as a coindexed object.

2 2.10.3 Instance variable reference

- 3 1 An instance variable may be referenced directly using the *instance-variable-name* in its *instance-declaration*
4 if a generic identifier is specified in the declaration.

- 5 2 If a generic identifier is not specified in the declaration, the *instance-variable-name* is a generic identifier
6 for the functions and updaters in the instance variable's accessor. It cannot be used to reference the
7 instance variable itself. The instance variable is not otherwise accessible, except by host association
8 within container procedures for the specified *container-name*.

- 9 3 When *instance-reference* is a procedure reference, or is the *instance-variable-name* in a *procedure-*
10 *designator*, it specifies which instance variable is accessible by host association within the referenced
11 container procedure.

12 R1523b *instance-reference* is *instance-variable-name*
13 or *instance-generic-name*

- 14 C1529b (R1523b) The *instance-variable-name* shall be the name of an instance variable that does not
15 declare a generic identifier.

- 16 C1529c (R1523b) The *instance-generic-name* shall be the generic identifier specified in the declaration
17 of an instance variable.

18 2.11 Reference to accessors

19 2.11.1 Syntax to reference accessor procedures

- 20 1 An accessor is referenced using an instance reference, which is either an instance variable for the con-
21 tainer, or a generic identifier specified in the declaration of an instance variable for the container.

- 22 2 A reference to an accessor is permitted where a reference to or definition of a variable is permitted.
23 Where a reference to an accessor reference appears as an expression it is considered to be a reference
24 to a container function subprogram. Where a reference to an accessor appears in a variable definition
25 context it is considered to be a reference to a container updater subprogram. The specific function or
26 updater is determined using the rules for generic resolution specified in subclause 15.5.5.2 in ISO/IEC
27 1539-1:2019(E).

- 28 3 The syntax of an accessor reference is an extension of the syntax of a function reference. The extension
29 makes it compatible with a scalar reference, an array element reference, a whole array reference, or a
30 character substring reference, which in turn allows the representation of a data abstraction to be changed
31 between a container and a data object without changing the syntax of references to it.

32 R1523a *accessor-reference* is *instance-reference* [([*actual-arg-spec-list*]) ■
33 ■ [(*aux-actual-arg*)]]

34 R1523c *aux-actual-arg* is *actual-arg-spec*

- 35 C1529a (R1523a) The *procedure-designator* shall designate an accessor.

- 1 C1529d (R1523c) The *aux-actual-arg* shall be of type SECTION.
- 2 C1529e (R1523c) If *aux-actual-arg* appears and the designated procedure has an actual argument of
3 type SECTION, ([*actual-arg-spec-list*]) shall appear.
- 4 4 Unlike a reference to a function, if an *instance-reference* appears without either *actual-args* or *aux-*
5 *actual-arg* it nonetheless specifies invocation of the accessor unless it is an actual argument associated
6 with a dummy accessor, or a *data-target* in a pointer assignment statement. For this reason, a procedure
7 shall have explicit interface where it is invoked if it has an accessor dummy argument.
- 8 5 The syntax of *designator* is extended to allow references to accessors in value-providing and variable
9 definition contexts.
- 10 R901 *designator* is ...
11 or *accessor-reference*
- 12 6 The syntax of intrinsic assignment already allows reference to an updater part of an accessor in its
13 variable-definition context.
- 14 R1032 *assignment-stmt* is *variable* = *expr*
- 15 7 If the *variable* in *assignment-stmt* is *accessor-reference*, the specific updater is determined according to
16 specifications in subclause 15.5.5.2 of ISO/IEC 1539-1:2019(E).
- 17 8 Where an updater reference appears as the *variable* in an intrinsic assignment statement, the rules for
18 conformance and conversion specified in subclauses 10.2.1.2 and 10.2.1.3 of ISO/IEC 1539-1:2019(E)
19 apply, except that if the acceptor variable is polymorphic, it is not required to be allocatable. The
20 usual rules to associate the *expr* to the acceptor variable apply, as if the *expr* were an actual argument
21 associated to a dummy argument.

NOTE 2.10

The acceptor variable of an updater does not participate in generic resolution. Alternatively, only in an assignment statement, the acceptor variable could be used for generic resolution, as if the *expr* were an actual argument corresponding to an acceptor variable, considered as a dummy argument. If generic resolution using the *expr* fails, or is ambiguous, but resolution using only the arguments in *variable* succeeds, the conformance and conversion rules could apply.

- 22 9 If the *variable* in *assignment-stmt* is *instance-reference* and the specified instance variable does not
23 declare a generic identifier, the *variable* specifies the instance variable, not a generic identifier of the
24 updaters of the accessor. The assignment is intrinsic assignment, as if for *variable* and *expr* of derived
25 type, if the container does not define assignment, and defined assignment otherwise.

2.11.2 Execution of an accessor

- 26 1 When an accessor is invoked, the following events occur in the order specified.
- 27 (1) The actual arguments are evaluated, and associated with their corresponding dummy argu-
28 ments. If the accessor is invoked to accept a value, the value to be accepted is considered
29 to be an actual argument associated with the acceptor variable.
30 (2) The instance variable is made accessible to the invoked procedure by host association.
31

NOTE 2.11

Making the instance variable available by host association uses the same mechanism at that used to make the host environment of a dummy procedure available by host association.

- 32 (3) If the accessor is invoked

- 1 • to produce a value an accessor function is executed, or
- 2 • to accept a value an accessor updater is executed.
- 3 (4) Execution of the function or updater is completed when a RETURN statement is executed,
- 4 or execution of the last executable construct in the *execution-part* of the accessor function
- 5 or updater is completed.
- 6 2 When the accessor is invoked to accept a value, the accepted object is argument associated with the
- 7 acceptor variable.

NOTE 2.12

Because an updater's acceptor variable has the VALUE or INTENT(IN) attribute, it is not possible for an updater to change the value associated to its acceptor variable.

8 **2.12 Executing container procedures**

9 **2.12.1 Procedure designators**

- 10 1 The syntax for procedure designators is extended to facilitate reference to container procedures.

11 R1520 *procedure-designator* **is** ...
 12 **or** *instance-reference* [*%container-procedure-name*]

13 R1520a *instance-reference* **is** *name*

14 C1525d (R1521c) If *%container-procedure-name* does not appear, *instance-reference* shall be the generic
 15 identifier specified in the declaration of an instance variable, which is either the instance variable
 16 name if GENERIC does not appear, or the *generic-name* if GENERIC appears.

17 C1525b (R1520) *container-procedure-name* shall be an accessible name of a procedure defined within
 18 the container for which *instance-reference* identifies an instance variable.

19 2 Where a container subroutine is invoked using *instance-reference* without *%container-procedure-name*,
 20 *instance-reference* is a generic identifier for the specific accessor procedures within the container for
 21 which *instance-reference* is a generic identifier specified in the declaration of an instance variable, and
 22 the invoked procedure is a specific function or updater procedure for that generic interface.

23 3 Where a container subroutine is invoked using *instance-reference%container-procedure-name*, the invoked
 24 procedure is the specific or generic procedure of the container for which *instance-reference* is an instance
 25 variable.

26 4 When a container procedure is invoked, the activation record that it accesses by host association is the
 27 one designated by the *instance-reference*.

28 **2.13 Relationship to DO CONCURRENT**

29 1 An *instance-reference* that identifies an instance variable that has SHARED or unspecified locality shall
 30 not be invoked in more than one iteration of a DO CONCURRENT construct. An *instance-reference*
 31 that is a generic identifier shall not have LOCAL_INIT locality.

32 **2.14 Argument association of instance variables**

33 1 An *instance-reference* shall be an actual argument if and only if the corresponding dummy argument is
 34 an *instance-reference* for the same container. The type parameters of the actual and dummy arguments,
 35 if any, shall have the same values. The actual argument shall have the GENERIC attribute if and only

1 if the corresponding dummy argument has the GENERIC attribute. It is not necessary that the actual
2 and dummy argument GENERIC attributes specify the same generic name.

3 2.15 Pointer association of instance variables

4 1 Pointer association for instance pointer objects is defined.

5 R1033 *pointer-assignment-stmt* **is** ...
6 **or** *instance-pointer-object* => *instance-target*

7 C1031a (R1033) An *instance-pointer-object* shall be an *instance-variable-name* that has the POINTER
8 attribute if and only if *instance-target* is an *instance-variable-name* that has the TARGET
9 attribute. The *instance-pointer-object* and *instance-target* shall be *instance-variable-names* for
10 instance variables for the same container, and their kind type parameters, if any, shall have the
11 same values. The *instance-pointer-object* shall have the GENERIC attribute if and only if the
12 *instance-target* has the GENERIC attribute.

13 2 The length parameters of the *instance-pointer-object* and *instance-target*, if any, shall have the same
14 values.

15 3 It is not necessary that the GENERIC attributes of the *instance-pointer-object* and *instance-target*, if
16 any, specify the same generic name.

17 2.16 Compatible extension of substring range

18 1 The type SECTION is provided to allow a dummy argument of type SECTION, so that an accessor can
19 replace an array or character variable without requiring change to the references. It seems pointless to
20 restrict this only to actual arguments, so it makes sense to allow variables other than dummy arguments
21 of type SECTION. Having a variable of type section and not allowing it to be used as a *substring-range*
22 would be silly.

23 R910 *substring-range* **is** *scalar-section-expr*

24 R910a *scalar-section-expr* **is** *scalar-expr*

25 C908a (R910a) The *scalar-expr* shall be an expression of type SECTION.

26 2 The value of the stride of *scalar-section-expr* shall be 1.

Unresolved Technical Issue 1

Does this introduce a syntax ambiguity?

27 2.17 Compatible extension of subscript triplet

28 1 Having a variable of type section and not allowing it to be used as a *subscript-triplet* would be silly.

29 R921 *subscript-triplet* **is** *scalar-section-expr*

30 2 If the LOWER_BOUNDED part of the *scalar-section-expr* is false, the effect is as if the LBOUND
31 component were the lower bound of the array. If the UPPER_BOUNDED part of the *scalar-section-expr*
32 is false, the effect is as if the UBOUND component were the upper bound of the array.

NOTE 2.13

Since no operations are defined on objects of type SECTION, the only possible expressions of type SECTION are section constructors, variables of type SECTION, references to functions or accessors of type SECTION, or such an expression enclosed in parentheses. Thus $A((1:10))$ is a newly-allowed syntax having the same meaning as $A(1:10)$.

2.18 Compatible extension of vector subscript

1 Having an array of type section and not allowing it to be used as a *vector-subscript* would be silly.

2 R923 *vector-subscript* is *expr*

3 C927 (R923) A *vector-subscript* shall be an array expression of rank one, and of type integer or SECTION.

4 2 If *vector-subscript* is of type SECTION and the LOWER_BOUNDED component of any element is false, the effect is as if the LBOUND component were the lower bound of the array. If the UPPER_BOUNDED component of any element is false, the effect is as if the UBOUND component were the upper bound of the array. The resulting vector subscript is then computed as if the elements appeared as arguments to a sequence of references to the SECTION_AS_ARRAY intrinsic function in an array constructor, in array element order.

NOTE 2.14

For example, if A is an array of type SECTION with two elements having values 1:5:2 and 5:1:-2, the effect is as if the subscript were [SECTION_AS_ARRAY(A(1)), SECTION_AS_ARRAY(A(2))], which has the value [1, 3, 5, 5, 3, 1].

2.19 SECTION_AS_ARRAY (A)

1 **Description.** An array having element values of all elements of a section.

2 **Class.** Transformational function bound to the type SECTION from the intrinsic module ISO_Fortran_Env.

3 **Argument.** A shall be a scalar of type SECTION. Neither A%LOWER_BOUNDED nor A%UPPER_BOUNDED shall be false. The value of A%STRIDE shall not be zero.

4 **Result Characteristics.** Rank one array of type integer and the same kind as A. The size of the result is the number of elements denoted by the section, which is $\text{MAX}(0, (A\%UBOUND - A\%LBOUND + A\%STRIDE) / A\%STRIDE)$.

5 **Result Value.** The result value is the same as the expression [(I, I = A%LBOUND, A%UBOUND, A%STRIDE)] where I is an integer of the same kind as A.

NOTE 2.15

The description of the result value makes it clear that SECTION_AS_ARRAY is not really needed; it is pure syntactic sugar.

6 **Examples.** The value of SECTION_AS_ARRAY (5:1:-2) is [5, 3, 1]. The value of SECTION_AS_ARRAY (5:1:2) is [] and the size of the result value is zero.

1 2.20 Existing intrinsic functions as updaters

2 1 The following generic intrinsic functions should be defined to be both functions and updaters. When a
3 reference appears in a variable-definition context

- 4 • `REAL(X)` with complex `X` is equivalent to `X%RE`,
- 5 • `AIMAG(X)` with complex `X` is equivalent to `X%IM`,
- 6 • `ABS(X)`
 - 7 – with integer or real `X` changes the magnitude of `X` without changing the sign, or
 - 8 – with complex `X` changes the modulus without changing the phase,
- 9 • `FRACTION(X)` with real `X` changes the fraction but not the exponent, and
- 10 • `EXPONENT(X)` with real `X` changes the exponent but not the fraction.

3 Extended example

3.1 General

1 This example illustrates how to replace a dense matrix represented by an array with a sparse matrix represented by a container.

2 Assume a matrix is initially represented by a rank-2 Fortran array:

```
3 real :: A(100,100)
```

4 References to elements of the array use the array name, followed by two subscripts:

```
5 print '( "A(",i0,",",i0,") = ", 1pg15.8)', i, j, A(i,j)
```

6 References to sections of the array use the array name, followed by section designators and subscripts:

```
7 print '( "A(:,",i0,") = " / (1p,6h15.8) )', A(:,j)
```

8 References to the whole array use the array name:

```
9 print '( "A =" / (1p,6h15.8) )', A
```

10 Definitions of elements of the array use the array name, followed by two subscripts:

```
11 A(i,j) = 42
```

12 Definitions of sections of the array use the array name, followed by section designators and subscripts:

```
13 A(:,j) = 42
```

14 Definitions of the whole array use the array name:

```
15 A = 0
```

16 It is not unusual for the requirements of a problem to change in such a way that a rank-2 Fortran array cannot be used because the matrix is too large, but the matrix is sparse, or the matrix is sparse and too much time is spent dealing with elements whose values are zero. One could replace the array by a derived-type object, and provide a function that has the same name as the array to reference elements of the array.

```
17 print '( "A(",i0,",",i0,") = ", 1pg15.8)', i, j, A(i,j)
```

18 Without the SECTION type, references to array sections cannot be replaced by function references, without changing the syntax of reference.

19 Using the SECTION type, references to array sections can be replaced by function references, without changing the syntax of reference:

```
20 print '( "A(:,",i0,") = " / (1p,6h15.8) )', A(:,j)
```

21 The first dummy argument of the function A is of type SECTION.

22 If a function cannot be referenced without (*actual-arg-spec-list*), references to the whole array cannot be replaced by function references, without changing the syntax of reference.

23 If it is allowed to reference the function without an empty argument list the entire array can be referenced

1 using a function reference, without changing the syntax of reference:

```
2 24 print '( "A =" / (1p,6h15.8) )', A
```

3 25 But definitions of elements or sections of the array, or the entire array, would need to be replaced by
4 calls to subroutines.

```
5 26 call SetElementA ( A, i, j, 42.0 )
```

```
6 27 call SetRowA ( A, i, 42.0 )
```

```
7 28 call SetA ( A, 0.0 )
```

8 29 Using an updater, the syntax to define an element is unchanged:

```
9 30 A(i,j) = 42
```

10 31 Using an updater in which the first dummy argument is of type SECTION, the syntax to define a column
11 is unchanged:

```
12 32 A(:,j) = 42
```

13 33 Using an updater that can be referenced without an empty argument list, the syntax to define an entire
14 array is unchanged:

```
15 34 A = 0
```

16 35 Defined assignment cannot be used as an “updater” because the subroutine that defines assignment is
17 allowed to have only two arguments – the first is associated with the *variable* in a defined assignment
18 statement, and the second is associated with the *expr*. There is no provision for arguments that play
19 the rôle of subscripts.

20 36 An *l-value* as described by Tennent, or a function that returns a pointer associated with an element,
21 cannot be used. If it is used in a reference context, and the designated element is zero (and therefore not
22 represented), the function could return a pointer associated with a save variable that has the value zero.
23 But if the same function is to be used as a “left-hand function” in a variable-definition context, if the
24 designated element does not exist, it needs to create one so that it can return a pointer associated with
25 an array element into which the value, for example the value of the *expr* in the assignment statement,
26 can be stored. It cannot decide not to store a nonzero value because (a) it does not receive the value
27 to be stored, and (b) it does not store the value – it merely provides a pointer associated with a place
28 where the assignment statement can store a value.

29 37 That it is necessary to replace assignment statements with subroutine calls is one of the reasons for
30 Parnas’s observation that the cost of a change to a program is frequently proportional to the size of the
31 program rather than to the magnitude of the change.

32 38 The purpose of updaters and the revision to functions is to provide the same syntax to reference and
33 update a data structure, regardless of its representation and implementation.

34 39 The purpose of containers is to allow to provide more than one object, that is represented by persistent
35 state and manipulated by functions and updaters, without needing to copy the program unit text phys-
36 ically, effectively copy it using INCLUDE statements, or instantiate it using a generic mechanism such
37 as a parameterized module, template, or macro.

3.2 A derived type to represent a sparse matrix

1 A derived type to represent a sparse matrix might be defined by

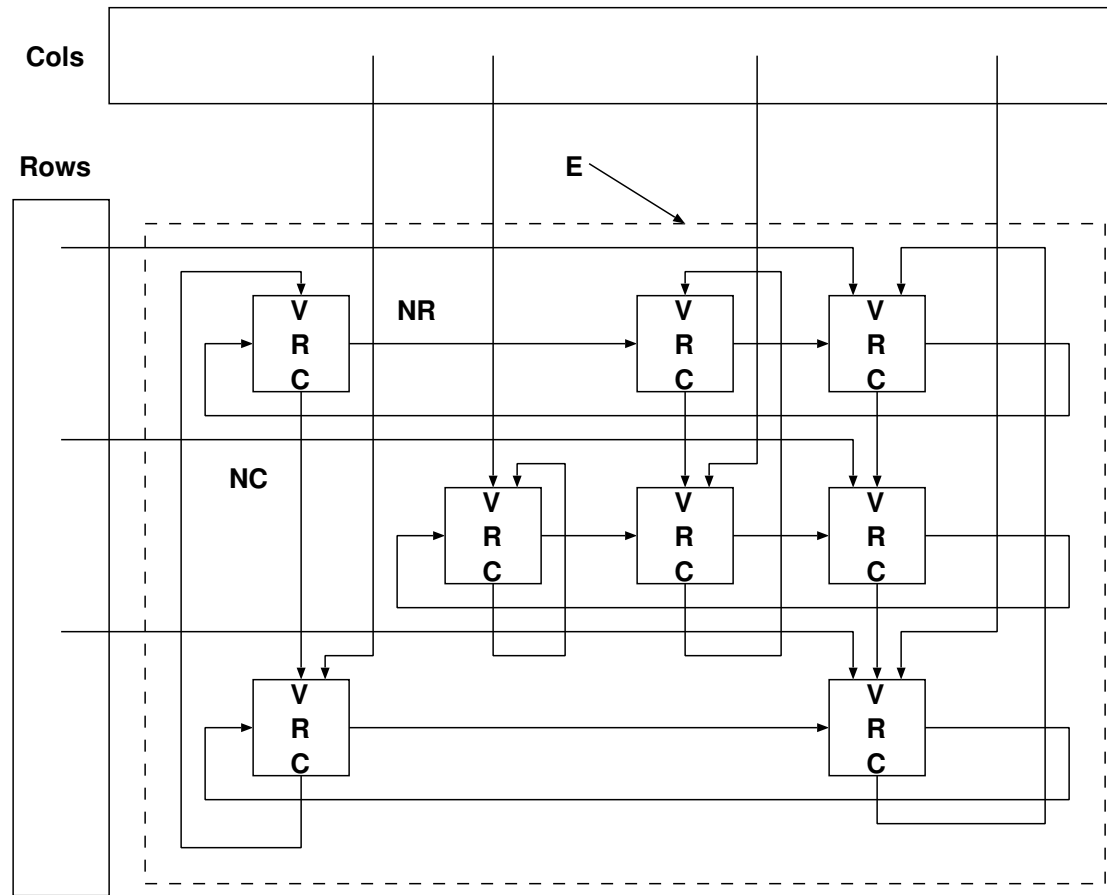
```

3     type :: Sparse_Element_t ! One element in a sparse matrix
4         real :: V          ! Element value
5         integer :: R       ! In which row is the element
6         integer :: C       ! In which col is the element
7         integer :: NR      ! Next element in same row
8         integer :: NC      ! Next element in same col
9     end type Sparse_Element_t
10
11    type :: Sparse_t ! Representation for a sparse matrix
12        integer :: NE = 0  ! Number of elements actually used, <= size(E)
13        ! Rows and columns are circular lists, so last element points to first:
14        integer, allocatable :: Rows(:) ! Last element in each row
15        integer, allocatable :: Cols(:) ! Last element in each col
16        type(sparse_element_t), allocatable :: E(:) ! nonzero elements
17    contains
18        procedure :: Create    ! Allocate rows, cols, set to zero
19        procedure :: Add_Element_Value
20        procedure :: Destroy  ! Deallocate everything
21        procedure :: Empty    ! set rows, cols, NE to zero
22        procedure :: Find_Element_Value
23        ....
24        final :: Destroy
25    end type Sparse_t

```

2 Each element in the `cols` component is the index in the `E` component of the last nonzero element in the corresponding column. Each element in the `rows` component is the index in the `E` component of the last nonzero element in the corresponding row.

3 Each element in the `E` component includes the value of the element, the row and column subscripts of the element, the index in `E` of the next element in the same row, and the next element in the same column. A graphical representation of a matrix with eight nonzero elements follows.



1

2 4 A container to represent, reference, and define elements of the array might be

```

3  module Sparse_m
4  ! Type definitions above
5  contains
6  container Sparse_Matrix
7  public
8  ! type definitions could be here instead of being module entities.
9  type(sparse_t) :: Matrix
10 contains
11 real function Element_Ref ( I, J ) result ( R )
12   integer, intent(in) :: I, J ! Row, column of the element
13   r = matrix%find_element_value ( i, j )
14 end function Element_Ref
15 real updater Element_Def_Real ( I, J ) accept ( V )
16   call matrix%add_element_value ( v, i, j ) ! doesn't add zeroes
17 end updater Element_Def_Real
18 integer updater Element_Def_Int ( I, J ) accept ( V )
19   call matrix%add_element_value ( real(v), i, j ) ! doesn't add zeroes
20 end updater Element_Def_Int
21 subroutine Initialize ( nRows, nCols, InitNumElements )
22   integer, intent(in) :: nRows, nCols
23   integer, intent(in), optional :: InitNumElements
24   call matrix%create nRows, nCols, InitNumElements )
25 end subroutine Initialize

```

```

1      subroutine CleanUp
2          call matrix%destroy
3      end subroutine CleanUp
4      subroutine Empty
5          call matrix%empty
6      end subroutine Empty
7      end container Sparse_Matrix
8  end module Sparse_m

```

9 5 The container might be accessed, and an instance variable declared for it, using

```

10      use Sparse_m, only: Sparse_Matrix
11      container ( Sparse_Matrix ) :: A

```

12 6 The instance variable might then be initialized using

```

13      call a ( nRows=1000000, nCols=100000 )

```

14 7 which references the Initialize container subroutine using generic resolution, or

```

15      call a%initialize ( nRows=1000000, nCols=100000 )

```

16 8 To fill the array, one could use

```

17      do
18          read ( *, *, end=9 ) i, j, v
19          a ( i, j ) = v
20      end do
21  9 continue

```

22 9 To reference an element of the array, one could use

```

23      print '( "A(",i0,",",i0,") = ", 1pg15.8)', i, j, a(i,j)

```

24 10 If one later needs a new set of values for an array with the same shape, one could use

```

25      call a%empty

```

26 11 To destroy the array without destroying the container's activation record, one could use

```

27      call a%cleanUp

```

4 Required editorial changes to ISO/IEC 1539-1:2019(E)

To be provided in due course.